

Paper delivery assembly (print engine)

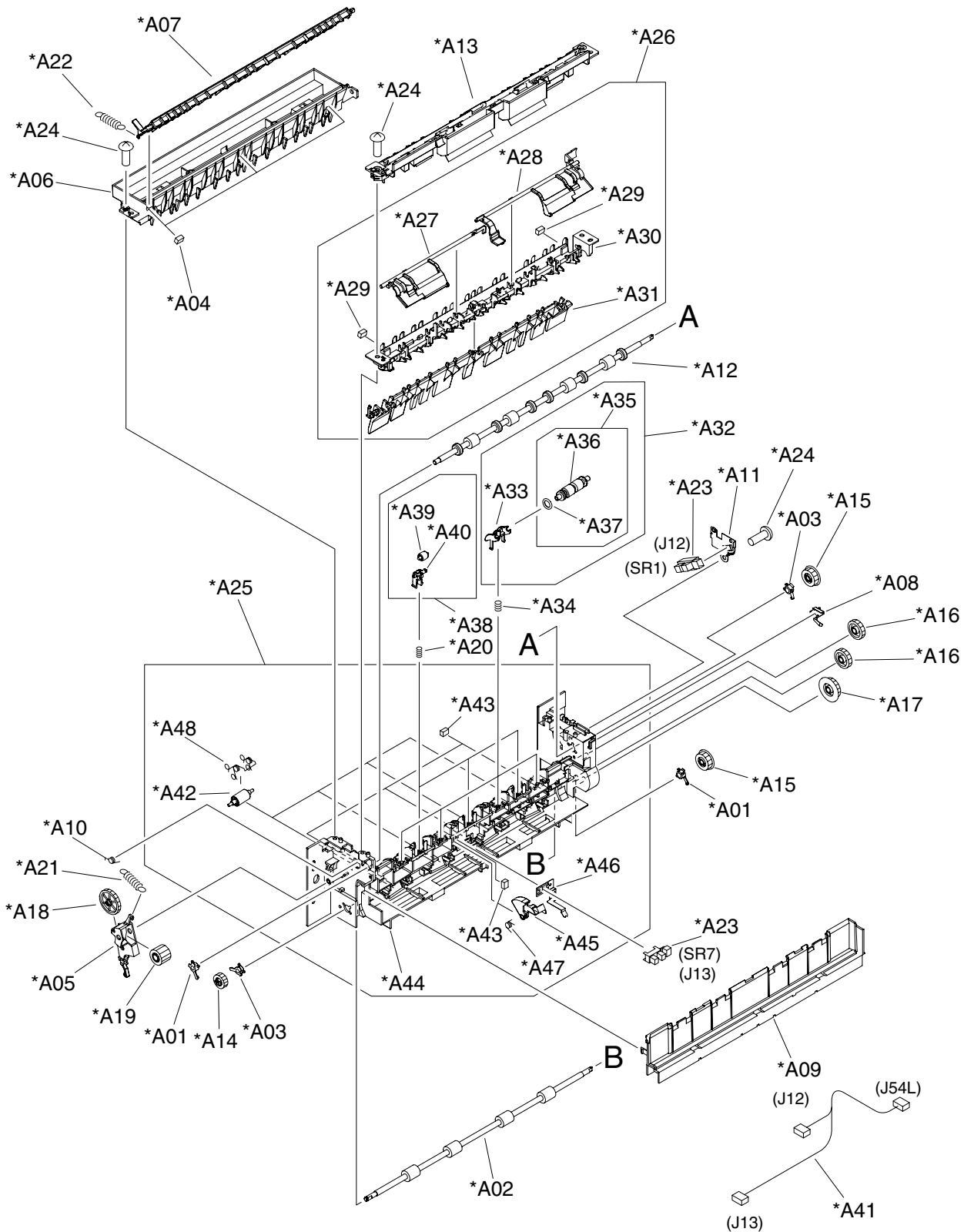


Figure 7-26 Paper delivery assembly (print engine)

Table 7-28 Paper delivery assembly (print engine)

Ref	Description	Part number	Qty
All	Paper delivery assembly	RM1-2987-000CN	1
A01	Bushing		2
A02	Roller, paper delivery		1
A03	Bushing		2
A04	Pad, flapper		3
A05	Holder, duplexer pendulum		1
A06	Guide, interface		1
A07	Flapper, duplexer		1
A08	Plate, roller grounding		1
A09	Cover, facedown		1
A10	Spring, torsion		1
A11	Plate, sensor		1
A12	Roller, facedown		1
A13	Guide, sub		1
A14	Gear, 15T		1
A15	Gear, 15T		2
A16	Gear, 17T		2
A17	Gear, 18T		1
A18	Gear, 28T		1
A19	Gear, 17T		1
A20	Spring, compression		3
A21	Spring, tension		1
A22	Spring, tension		1
A23	Photo interrupter, TLP1243	WG8-5696-000CN	2
A24	Screw, tapping, truss head, M 4X10		5
A25	Facedown frame assembly		1
A26	Top guide assembly		1
A27	Flag, facedown		1
A28	Flag, paper full detect		1
A29	Pad, flapper		2
A30	Guide, top		1
A31	Flapper, duplexer facedown		1
A32	Facedown roller holder assembly		4
A33	Holder, facedown roller		4

Ref	Description	Part number	Qty
A34	Spring, compression		4
A35	Roller assembly		4
A36	Roller, paper delivery		4
A37	Ring, O		4
A38	Roller holder assembly		3
A39	Roller		1
A40	Holder, roller		1
A41	Cable, facedown assembly		1
A42	Roller, paper delivery		4
A43	Pad, flapper		4
A44	Frame, facedown		1
A45	Flag, paper delivery sensor		1
A46	Plate, ESD grounding		1
A47	Spring, torsion		1
A48	Spring, torsion		4



NOTE Not all components listed in the parts tables can be ordered. If a component listed has an associated part number, then it is a field replaceable unit (FRU) and can be ordered. If the component does not have an associated part number, you must order the FRU that includes the desired component.