

## Paper feed assembly (print engine)

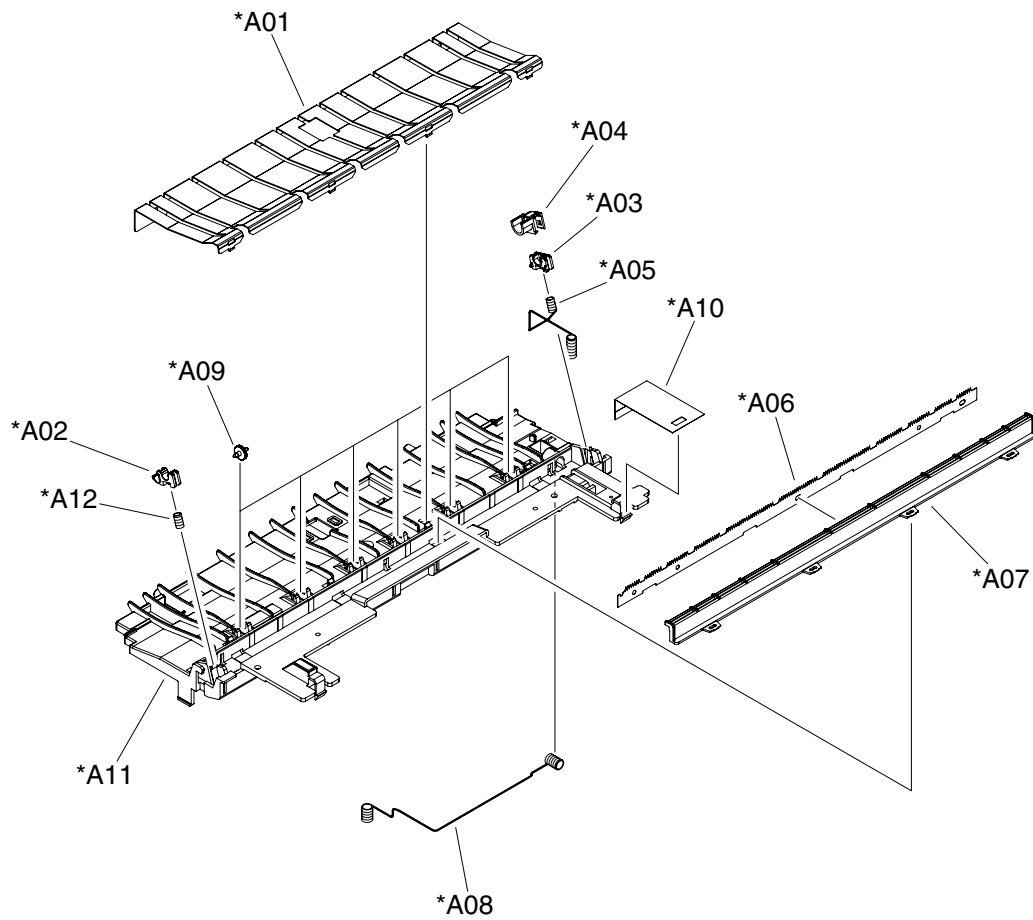


Figure 7-35 Paper feed assembly (print engine)

**Table 7-37** Paper feed assembly (print engine)

Ref	Description	Part number	Qty
All	Paper feed assembly	RM1-3009-000CN	1
A01	Plate, paper feed		1
A02	Bushing		1
A03	Bushing		1
A04	Cover, transfer bushing, right		1
A05	Spring, compression		1
A06	Eliminator, static charge		1
A07	Cover, static charge eliminator		1
A08	Spring, compression		1
A09	Roller		6
A10	Sheet, transfer insulating		1
A11	Guide, paper feed		1
A12	Spring, compression		1



**NOTE** Not all components listed in the parts tables can be ordered. If a component listed has an associated part number, then it is a field replaceable unit (FRU) and can be ordered. If the component does not have an associated part number, you must order the FRU that includes the desired component.