

PCA assemblies (print engine)

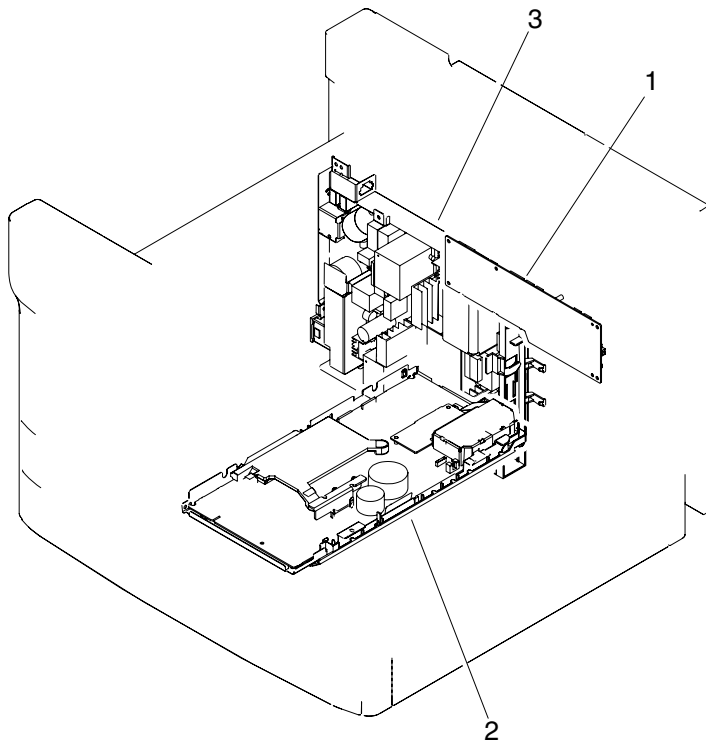


Figure 7-36 PCA assemblies (print engine)

Table 7-38 PCA assemblies

Ref	Description	Part number	Qty
1	DC controller PCA assembly	RM1-3459-000CN	1
2	High-voltage PCA assembly (110V-127V)	RM1-2957-000CN	1
2	High-voltage PCA assembly (220V-240V)	RM1-2958-000CN	1
3	Low-voltage PCA assembly (110V-127V)	RM1-2994-000CN	1
3	Low-voltage PCA assembly (220V-240V)	RM1-3006-000CN	1



NOTE Not all components listed in the parts tables can be ordered. If a component listed has an associated part number, then it is a field replaceable unit (FRU) and can be ordered. If the component does not have an associated part number, you must order the FRU that includes the desired component.