

Scanner controller board (SCB) assembly

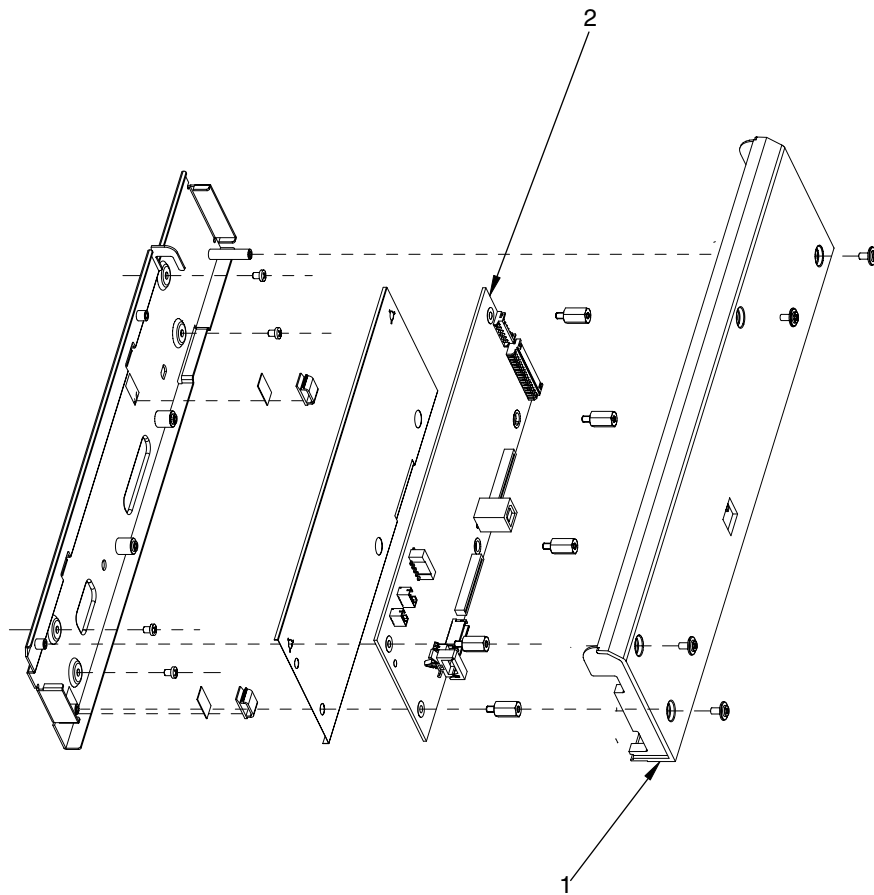


Figure 7-13 Scanner controller board (SCB) assembly

Table 7-15 Scanner controller board (SCB) assembly

Ref	Description	Part number	Qty
1	Cover, Scanner controller board (main board cover)	Q7829-60145	1
2	Scanner controller board PCA (main board)	Q7829-60165	1



NOTE Not all components listed in the parts tables can be ordered. If a component listed has an associated part number, then it is a field replaceable unit (FRU) and can be ordered. If the component does not have an associated part number, you must order the FRU that includes the desired component.