

# Stapler/stacker assembly main body

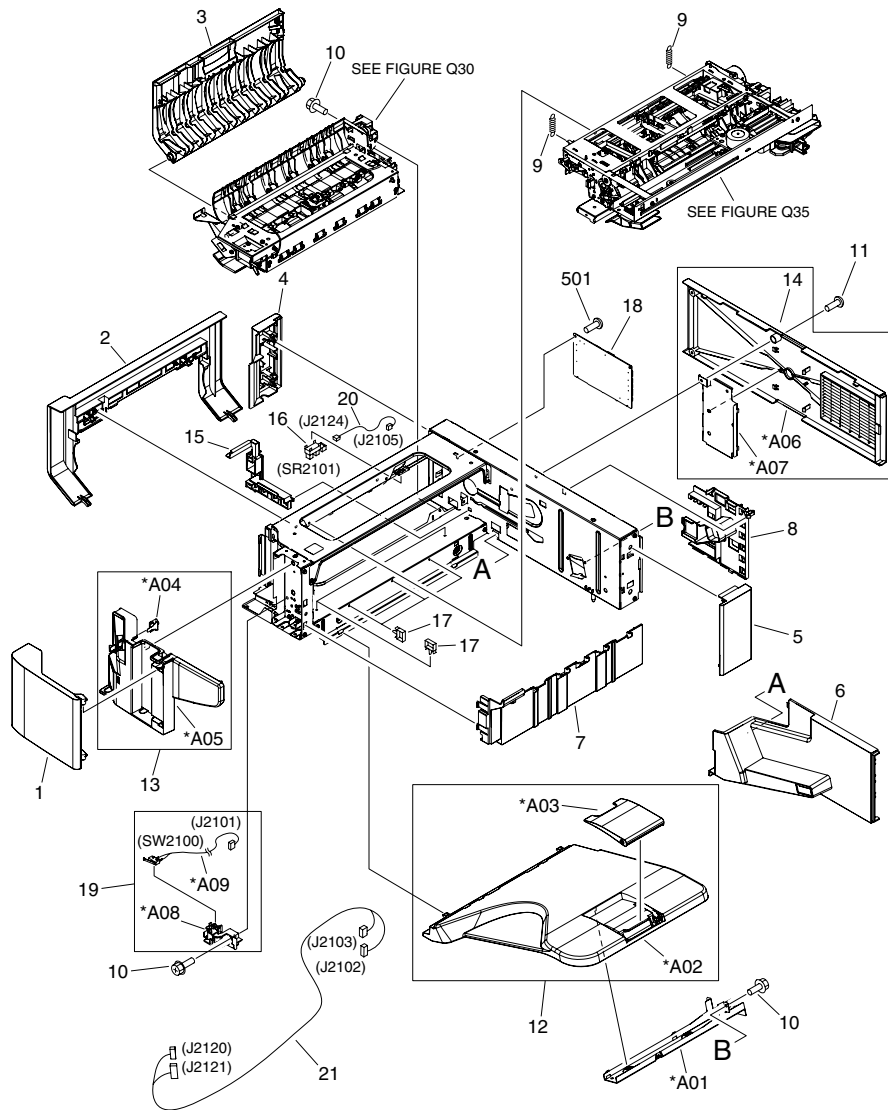


Figure 7-16 Main body (stapler/stacker)

**Table 7-18** Main body (stapler/stacker)

Ref	Description	Part number	Qty
All	Staple stacker	Q7604-67901	1
1	Door, front	RC1-9716-000CN	1
2	Cover, left	RC1-9718-000CN	1
3	Door, left	RC1-9719-000CN	1
4	Cover, rear left		1
5	Cover, rear right		1
6	Cover, rear inner		1
7	Cover, stack	RC1-9724-000	1
8	Guide, FFC	RC1-9767-000CN	1
9	Spring, tension	RU5-2731-000CN	2
10	Screw, RS, M3X8		29
11	Screw, D, MX6		3
12	Tray assembly	RM1-3093-000CN	1
13	Stapler cover assembly	RM1-3094-000CN	1
14	Rear cover assembly	RM1-3095-000CN	1
15	Guide, frame cable		1
16	Photo interrupter, TLP1243	WG8-5696-000CN	1
17	Saddle, wire		5
18	Staple stacker PCA assembly		1
19	Interlock assembly	RM1-3087-000CN	1
20	Cable, left door sensor		1
21	Cable, staple unit		1
501	Screw, TP, M3X8		2
A01	Cross member, tray		1
A02	Tray		1
A03	Tray, extension		1
A04	Support, front door	RC1-9725-000CN	1
A05	Cover, stapler		1
A06	Cover, rear		1
A07	Plate, front frame shield		1
A08	Holder, interlock switch		1
A09	Cable, front door switch		1