

Paper feed assembly (stapler/stacker)

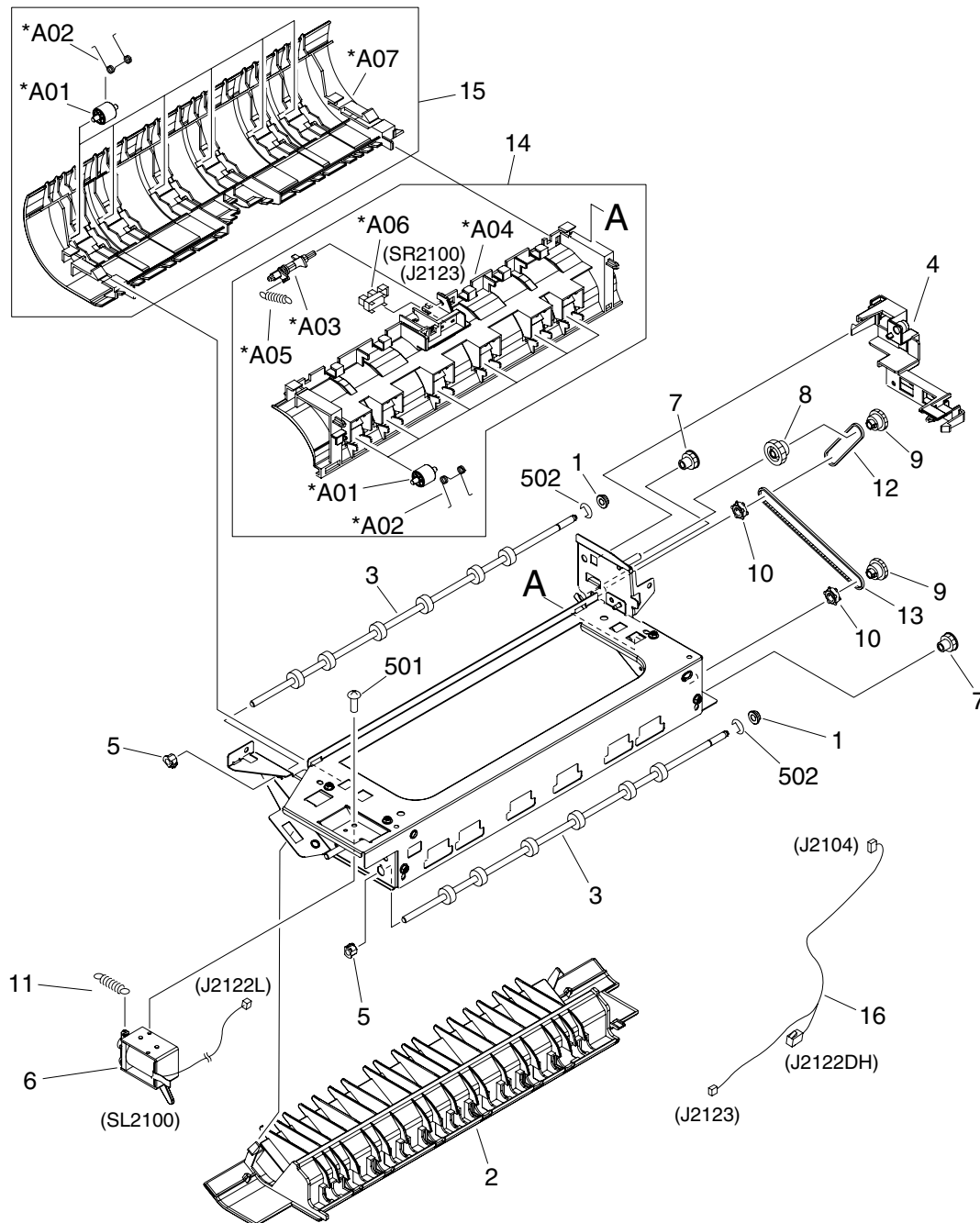


Figure 7-17 Paper feed assembly (stapler/stacker)

Table 7-19 Paper feed assembly (stapler/stacker)

Ref	Description	Part number	Qty
All	Paper feed assembly (stapler/stacker)	RM1-3088-000CN	1
1	Bushing		1
2	Guide, lower		1
3	Roller, paper feed		2
4	Guide, paper feed cable		1
5	Bushing		2
6	Solenoid, flapper		1
7	Gear, 21T		2
8	Gear, 18T		1
9	Gear, 27T		2
10	Pulley		2
11	Spring, compression		1
12	Belt, timing		1
13	Belt, timing		1
14	Upper guide assembly, 1		1
15	Upper guide assembly, 2		1
16	Cable, paper feed unit		1
501	Screw, TP, M3X4		2
502	Ring, E		2
A01	Roller, reserve		12
A02	Spring, torsion		12
A03	Flag, inlet sensor		1
A04	Guide, upper, 1		1
A05	Spring, tension		1
A06	Photo interrupter, TLP1243		1
A07	Guide, upper, 2		1



NOTE Not all components listed in the parts tables can be ordered. If a component listed has an associated part number, then it is a field replaceable unit (FRU) and can be ordered. If the component does not have an associated part number, you must order the FRU that includes the desired component.