

Front end cover (ADF)

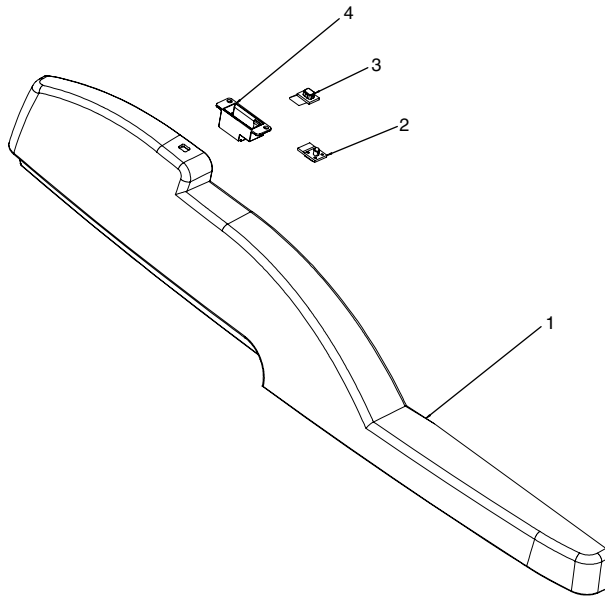


Figure 7-2 Front end cover (ADF)

Table 7-4 Front end cover (ADF)

Ref	Description	Part number	Qty
All	ADF end cover (cap) front	Q7829-67905	1
1	ADF end cover (cap) front		1
2	Media LED		1
3	LED light pipe		1
4	LED housing		1



NOTE Not all components listed in the parts tables can be ordered. If a component listed has an associated part number, then it is a field replaceable unit (FRU) and can be ordered. If the component does not have an associated part number, you must order the FRU that includes the desired component.