

Jam Cover (ADF)

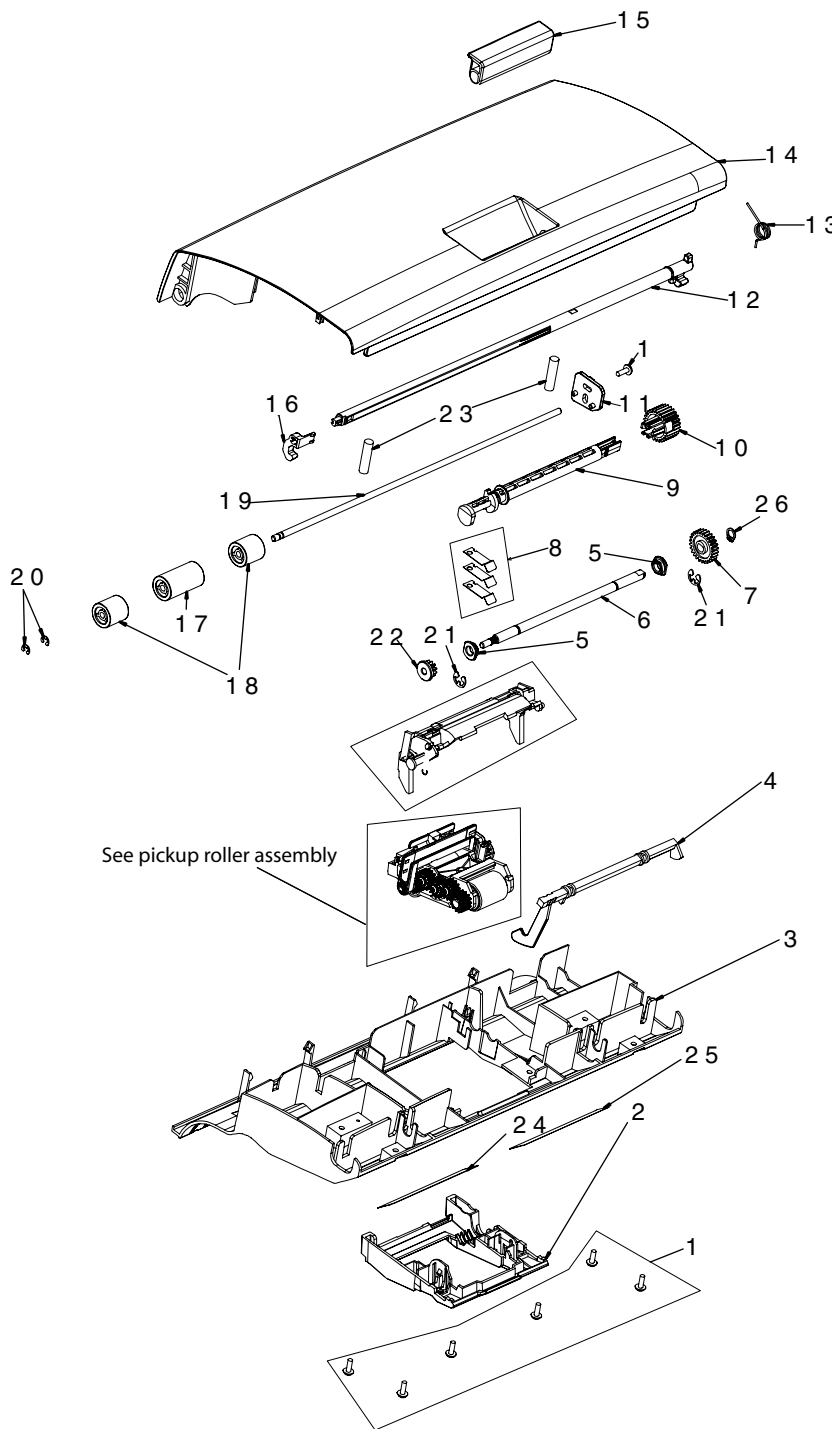


Figure 7-6 Jam cover (ADF)

Table 7-8 Jam cover (ADF)

Ref	Description	Part number	Qty
All	ADF jam cover assembly	Q7829-67910	1
1	Screw, M3X9 PT pan head phillips #2		7
2	Cover ADF pickup roller	Q7829-67920	1
3	Cover, pick		1
4	Flag, media present sensor		1
5	Bushing, feed shaft		2
6	Shaft, pick		1
7	Gear, pick 26T		1
8	Spring, plate detent		3
9	Shaft, cam		1
10	Gear, camshaft 26T		1
11	Adjuster, deskew		1
12	Lock shaft, jam cover		1
13	Spring, jam cover latch		1
14	Cover, jam		1
15	Handle, jam cover		1
16	End cap, jam cover		1
17	Pinch, deskew center		1
18	Pinch, deskew right		2
19	Shaft, pinch deskew		1
20	E-clip (dia 3)		2
21	E-clip (dia 5)		2
22	Gear, pickshaft 12T		1
23	Spring, deskew		2
24	Label, pick roller replacement 1		1
25	Label, pick roller replacement 2		1
26	Circle clip		1



NOTE Not all components listed in the parts tables can be ordered. If a component listed has an associated part number, then it is a field replaceable unit (FRU) and can be ordered. If the component does not have an associated part number, you must order the FRU that includes the desired component.