

Separation floor assembly (ADF)

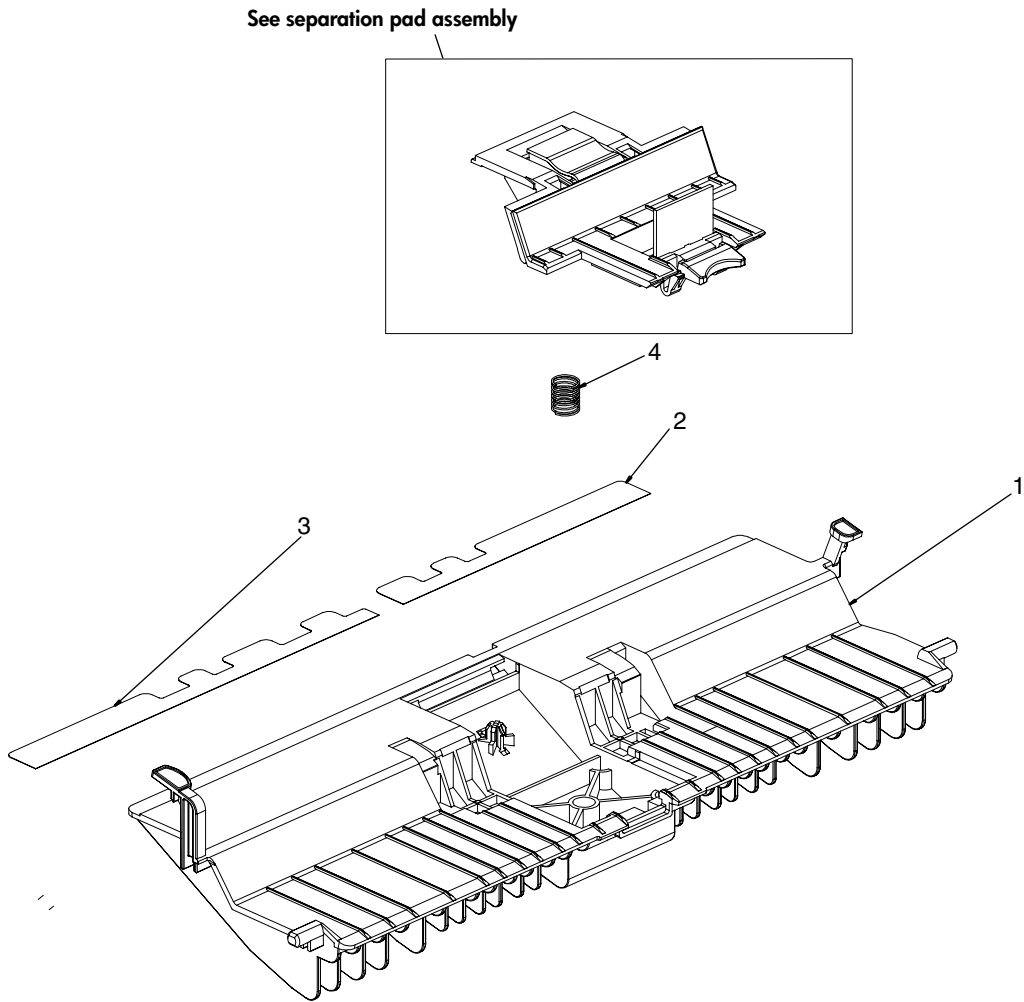


Figure 7-9 Separation floor assembly (ADF)

Table 7-11 Separation floor assembly (ADF)

Ref	Description	Part number	Qty
1	ADF separation floor assembly	Q7829-67909	1
2	Mylar, short separation right		1
3	Mylar, separation left		1
4	Spring, separation		1



NOTE Not all components listed in the parts tables can be ordered. If a component listed has an associated part number, then it is a field replaceable unit (FRU) and can be ordered. If the component does not have an associated part number, you must order the FRU that includes the desired component.