

# Print engine external covers and panels

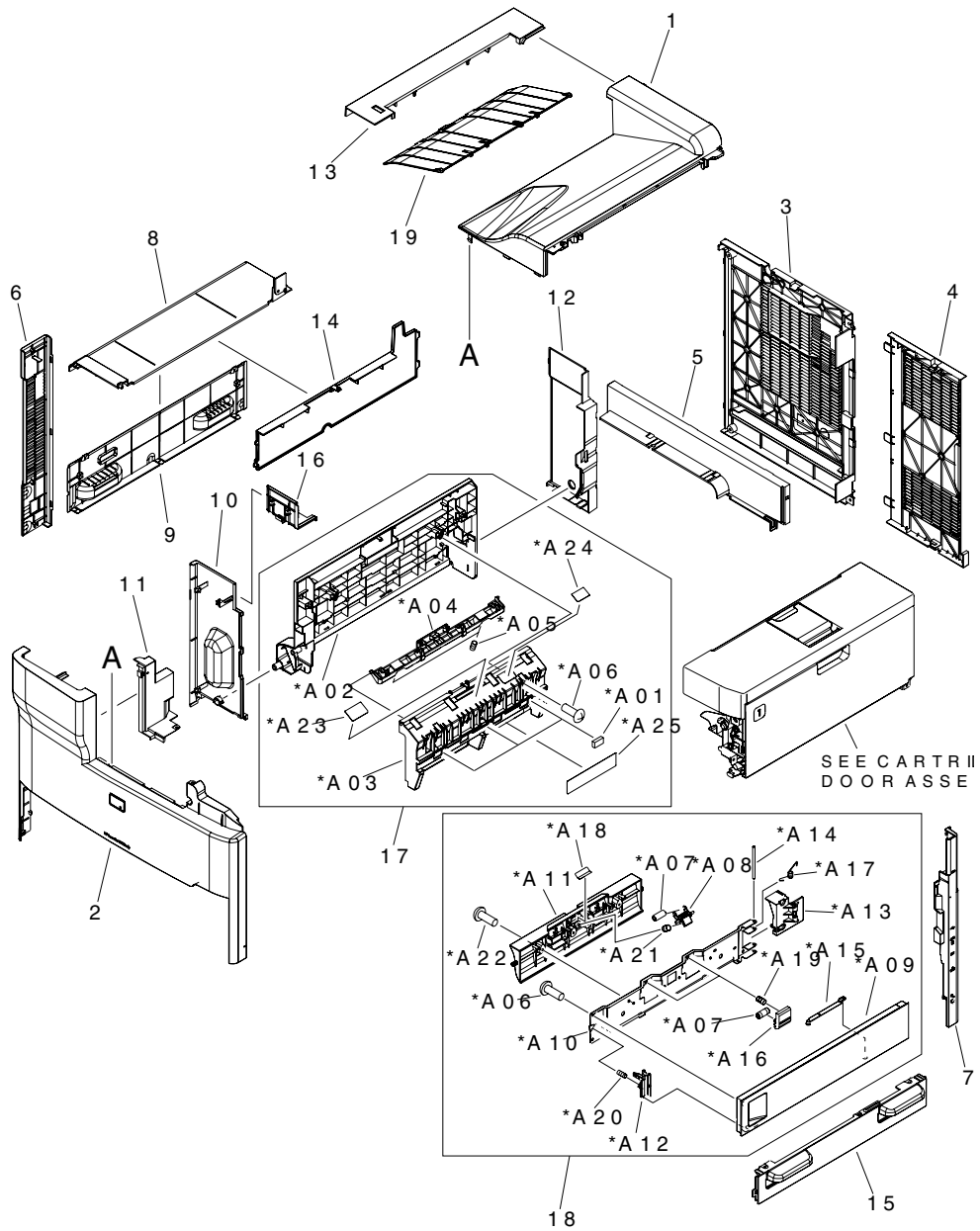


Figure 7-21 External panel and covers (print engine)

**Table 7-23** External panels and covers (print engine)

Ref	Description	Part number	Qty
1	Cover, facedown, top	RC1-82220-000CN	1
2	Cover, front	RC1-8221-000CN	1
3	Cover, rear	RC1-8223-000CN	1
4	Cover, formatter	RC1-8224-000CN	1
5	Cover, rear inner, right		1
6	Cover, left, rear	RC1-8225-000CN	1
7	Cover, right, rear	RC1-8226-000CN	1
8	Cover, left, upper	RC1-8227-000CN	1
9	Cover, left, lower	RC1-8228-000CN	1
10	Cover, inner, front		1
11	Cover, facedown side	RC1-8231-000CN	1
12	Cover, rear inner, left		1
13	Cover, top	RC1-8233-000CN	1
14	Cover, duplexing blanking	RC1-8235-000CN	1
15	Cover, grip, right	RC1-8236-000CN	1
16	Cover, inner top	RC1-8327-000CN	1
17	Left door assembly	RM1-2990-000CN	1
18	Right door assembly	RM1-2991-000CN	1
19	Tray, sub	RC1-8137-000CN	1
A01	Pad, flapper		3
A02	Door, left		1
A03	Guide, facedown		1
A04	Handle, door, left		1
A05	Spring, compression		2
A06	Screw, tapping, truss head, M4X10		6
A07	Roller, idler		3
A08	Holder, paper re-pickup roller		1
A09	Door, right		1
A10	Cross member, door, right		1
A11	Guide, paper feed, lower		1
A12	Latch, door, right		1
A13	Hinge, door, right		1
A14	Shaft, door hinge, right		1
A15	Link, door, right		1

Ref	Description	Part number	Qty
A16	Holder, roller, lower		2
A17	Spring, grounding		1
A18	Sheet, roller		1
A19	Spring, compression		2
A20	Spring, compression		1
A21	Spring, compression		1
A22	Screw, M3X8		4
A23	Label, door jam clearing, left		1
A24	Label, high temperature caution		1
A25	Label, high temperature caution		1



**NOTE** Not all components listed in the parts tables can be ordered. If a component listed has an associated part number, then it is a field replaceable unit (FRU) and can be ordered. If the component does not have an associated part number, you must order the FRU that includes the desired component.