

Internal components (print engine; 2 of 3)

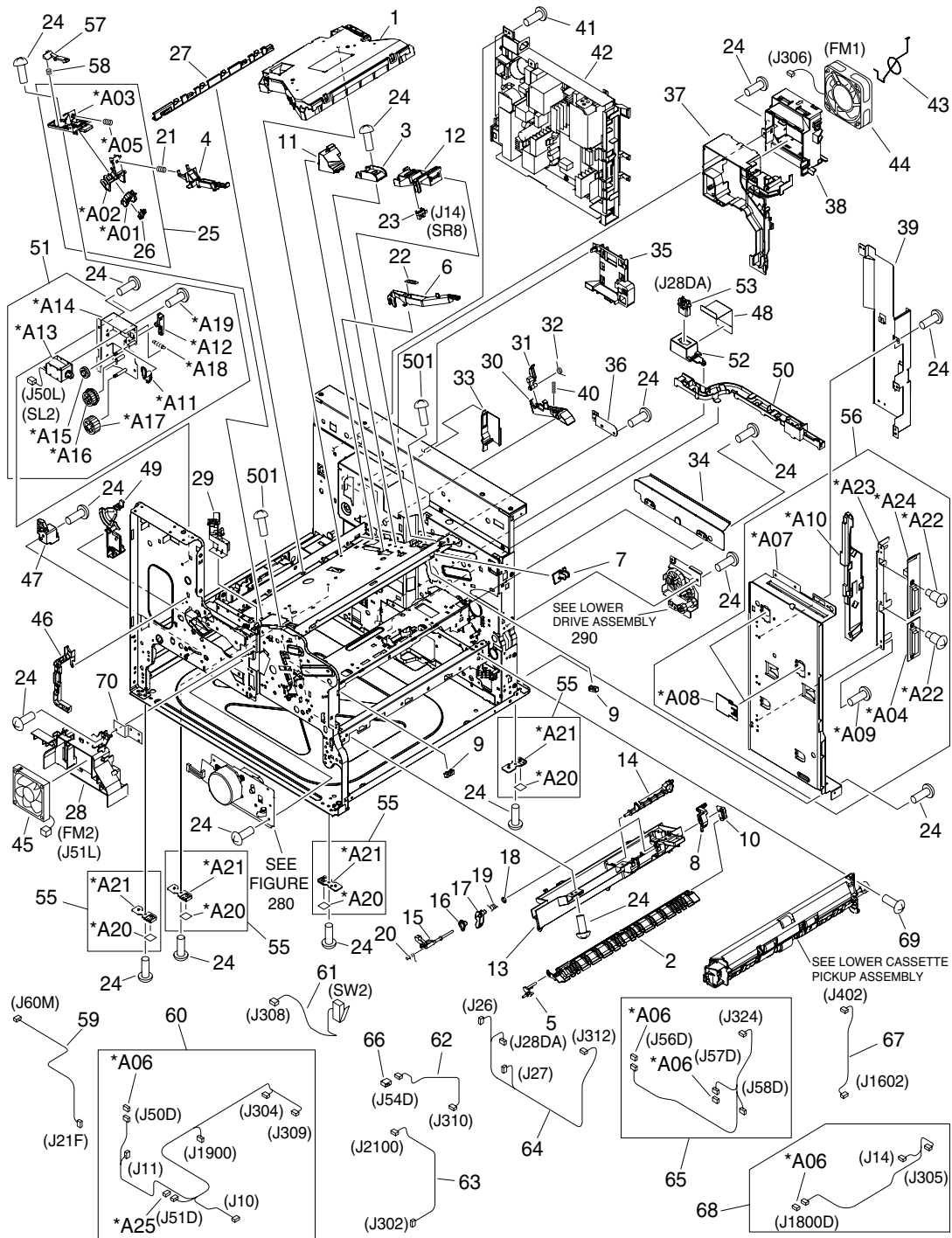


Figure 7-24 Internal components (2 of 3) (print engine)

Table 7-26 Internal components (2 of 3) (print engine)

Ref	Description	Part number	Qty
1	Laser scanner assembly (print engine)	RM1-2555-000CN	1
2	Shutter, fuser	RC1-7163-000CN	1
3	Guide, laser FFC		1
4	Link, tag	RC1-7289-000CN	1
5	Shaft, fuser shutter	RC1-7436-000CN	1
6	Lever, shutter	RC1-7451-000CN	1
7	Cover, shutter lever		1
8	Link, fuser sensing, small	RC1-8058-000CN	1
9	Block, cartridge		2
10	Plate, scanner duct	RC1-8069-000CN	1
11	Duct, scanner		1
12	Guide, cable		1
13	Duct, scanner, lower	RC1-8328-000CN	1
14	Cam, shutter	RC1-8329-000CN	1
15	Lever, pushing	RC1-8330-000CN	1
16	Spacer, slide	RC1-8331-000CN	1
17	Cam, slide	RC1-8332-000CN	1
18	Ring, spacer	RC1-8333-000CN	1
19	Spring, torsion	RC1-8334-000CN	1
20	Spring, torsion	RC1-8335-000CN	1
21	Spring, compression	RU5-2633-000CN	1
22	Spring, tension	RU5-2651-000CN	2
23	Photo interrupter, TLP1243	WG8-5696-000CN	1
24	Screw, D, M3X6		13
25	Tag holder assembly	RM1-2999-000CN	1
26	Cable, memory contact		1
27	Guide, scanner cable		1
28	Holder, front fan		1
29	Guide, cable		1
30	Link, fuser sensing	RC1-8059-000CN	1
31	Lever, fuser sensing switch	RC1-8060-000CN	1
32	Spring, torsion	RC1-8078-000CN	1
33	Cover, interlock		1
34	Cross member, handle		1

Ref	Description	Part number	Qty
35	Guide, cable		1
36	Support, DC controller		1
37	Holder, rear fan		1
38	Holder, rear fan		1
39	Plate, FFC shield		1
40	Spring, compression	RU5-2683-000CN	1
41	Screw, tap, M3X6		4
42	Power supply assembly (110–127 V)	RM1-2994-000CN	1
42	Power supply assembly (220–240 V)	RM1-3006-000CN	1
43	Shield, rear fan grounding		1
44	Fan, rear	RK2-1284-000CN	1
45	Fan, front	RK2-1285-000CN	1
46	Guide, cable		1
47	Lock, pressure release, front	RC1-8039-000CN	1
48	Sheet, drawer protective		1
49	Lever, drive release	RC1-8075-000CN	1
50	Guide, cable		1
51	Paper delivery drive assembly	RM1-2962-000CN	1
52	Holder, floating connector		1
53	Connector, drawer	VS1-7258-0007CN	1
54	Clip, cable		1
55	Foot assembly		4
56	Connecting PCA assembly	RM1-2995-000CN	1
57	Lever, tag lock		1
58	Spring, compression		1
59	Cable, heater		1
60	Cable, multi-scanner		1
61	Switch, cartridge door	RM1-3471-000CN	1
62	Cable, facedown drive		1
63	Cable, delivery option		1
64	Cable, feeder		1
65	Cable, cassette lift		1
66	Connector, snap tight		1
67	Cable, scanner power		1
68	Cable, cartridge sensor		1

Ref	Description	Part number	Qty
69	Screw, M3X8		4
70	Plate, reinforcement		1
501	Screw, tap, binding head, M3X8		2
A01	Holder, connector		1
A02	Holder, connector		1
A03	Plate, tag holder		1
A04	IS connecting PCA assembly		1
A05	Spring, compression		1
A06	Connector, snap tight, BK		4
A07	Plate, formatter guide		1
A08	Plate, formatter guide cap		2
A09	Screw, D, M3X6		4
A10	Guide, flexible flat cable		1
A11	Link, duplexer flapper, 1		1
A12	Link, duplexer flapper, 2		1
A13	Solenoid		1
A14	Plate, paper delivery drive		1
A15	Gear, 18T		1
A16	Gear, 25T/25T		1
A17	Gear, 28T		1
A18	Spring, compression		1
A19	Screw, tap, M3X6		2
A20	Foot		4
A21	Support, foot		4
A22	Screw, stepped, M3		4
A23	Support, DINN board		1
A24	Video interface PCA assembly		1
A25	Connector, snap tight, BK		1



NOTE Not all components listed in the parts tables can be ordered. If a component listed has an associated part number, then it is a field replaceable unit (FRU) and can be ordered. If the component does not have an associated part number, you must order the FRU that includes the desired component.