

Lower cassette (print engine)

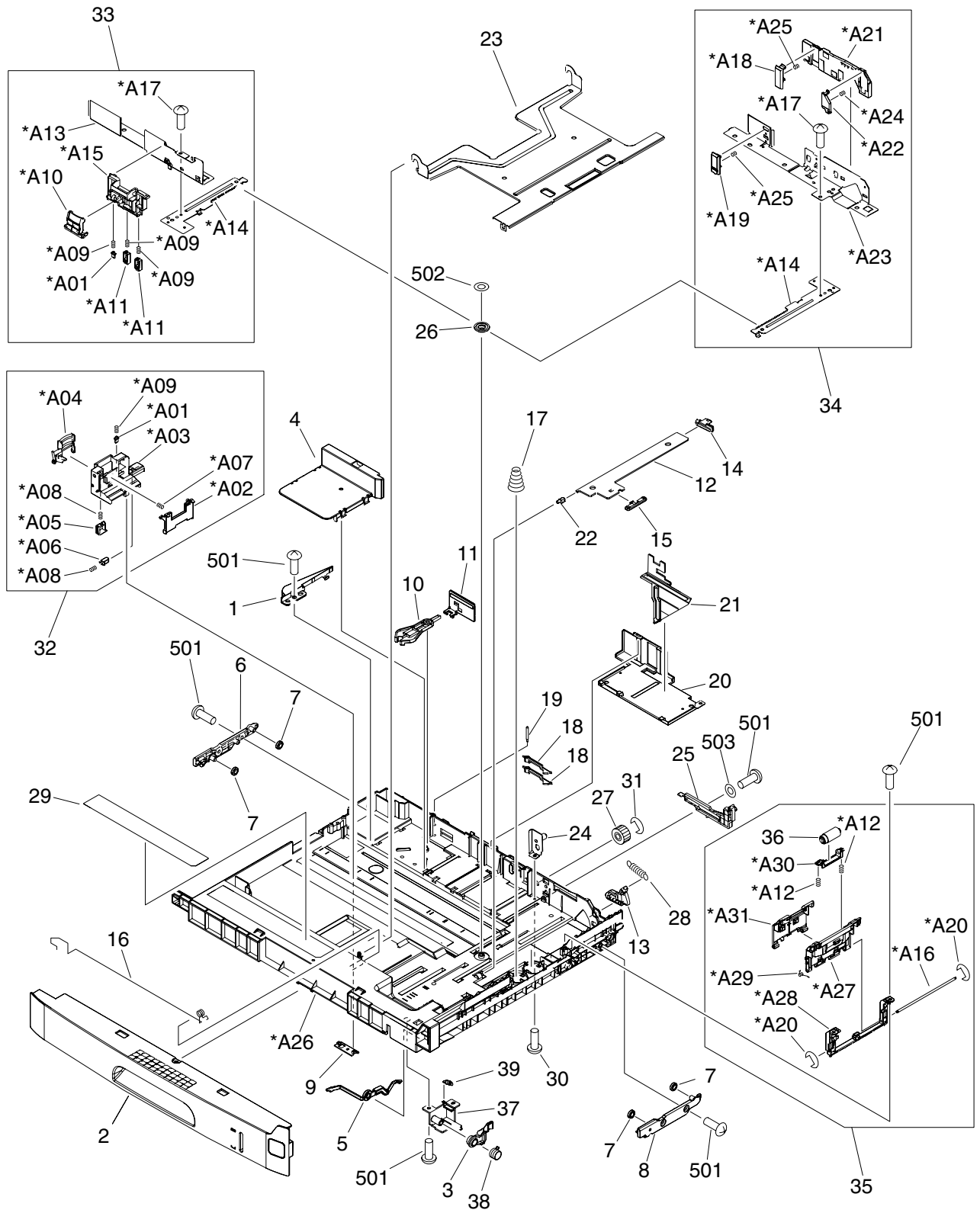


Figure 7-31 Lower cassette (print engine)

Table 7-33 Lower cassette (print engine)

Ref	Description	Part number	Qty
All	Lower cassette (engine)	RM1-2979-000CN	1
1	Guide, cassette lock		1
2	Cover, cassette, lower		1
3	Cam, remnant, lower		1
4	Cover, back end sensing		1
5	Lever, remnant detect, lower		1
6	Rail, attachment, left		1
7	Roller, cassette rail		4
8	Rail, attachment, right		1
9	Slider, back end limit		1
10	Cam, back end sensing		1
11	Lever, back end sensing		1
12	Arm, lift		1
13	Cam, lift arm		1
14	Cap, lift arm cam		1
15	Slider, lifter arm		1
16	Spring, grounding		1
17	Spring, compression		2
18	Link, back end sensing switch		2
19	Shaft, back end sensing link		1
20	Cover, width sensing		1
21	Cam, width sensing		1
22	Bushing		1
23	Plate, lifter		1
24	Plate, cassette support		1
25	Rack, lifter		1
26	Gear, 14T		1
27	Gear, 17T		1
28	Spring, tension		1
29	Label, cassette control, lower		1
30	Screw, M3X8		1
31	Ring, E		1
32	Back end limit assembly		1
33	Front paper side end assembly		1

Ref	Description	Part number	Qty
34	Rear paper side end assembly		1
35	Separation block assembly	RM1-2983-000CN	1
36	Separation roller assembly		1
37	Holder, remnant, lower		1
38	Spring, compression		1
39	Spring, tension		1
501	Screw, tapping, truss head, M4X10		11
502	Plain washer		1
503	Plain washer		2
A01	Block, side end size clicker		2
A02	Plate, back end limit		1
A03	Holder, back end limit		1
A04	Lever, back end limit lock		1
A05	Lock, back end limit		1
A06	Block, back end size clicker		1
A07	Spring, compression		1
A08	Spring, compression		2
A09	Spring, compression		4
A10	Lever, side		1
A11	Lock, side		2
A12	Spring, compression		2
A13	Guide, side, front		1
A14	Rack, side		2
A15	Holder, side guide, front		1
A16	Shaft, separation block		1
A17	Screw, D, M3X6		1
A18	Clamp, paper, middle		1
A19	Clamp, paper, rear		1
A20	Ring, E		2
A21	Holder, side guide, rear		1
A22	Clamp, paper, front		1
A23	Plate, paper side end, rear		1
A24	Spring, compression		1
A25	Spring, compression		2
A26	Body, cassette, upper		1

Ref	Description	Part number	Qty
A27	Block, separation roller		1
A28	Holder, separation block		1
A29	Spring, torsion		1
A30	Base, separation roller		
A31	Cover, separation roller block		1



NOTE Not all components listed in the parts tables can be ordered. If a component listed has an associated part number, then it is a field replaceable unit (FRU) and can be ordered. If the component does not have an associated part number, you must order the FRU that includes the desired component.