

# Scanner assembly base

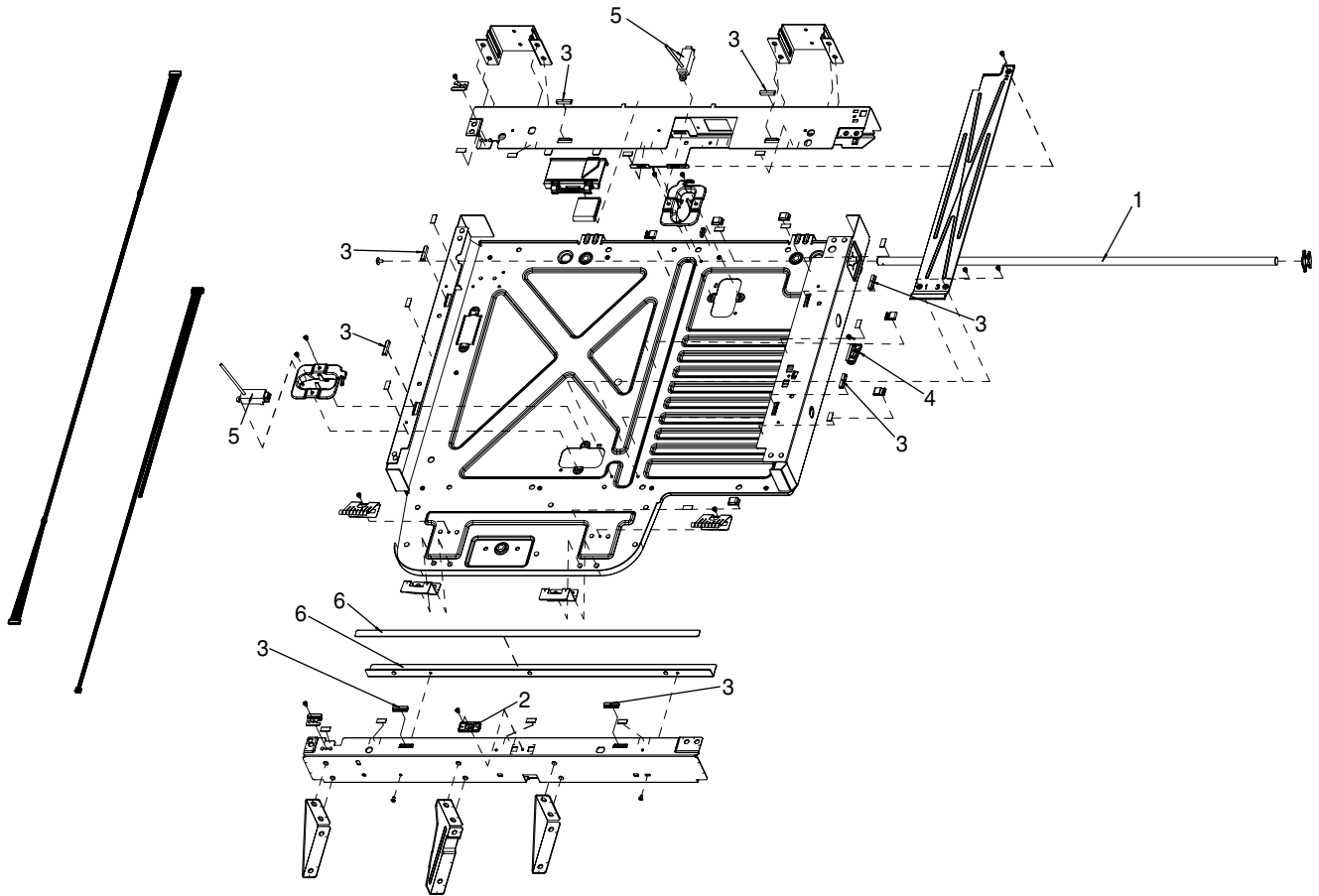


Figure 7-10 Scanner assembly base

**Table 7-12** Scanner assembly base

Ref	Description	Part number	Qty
All	Scanner	Q7829-60159	1
1	Rod	Q7829-60160	1
2	Guide, glass	Q7829-60157	1
3	Rubber, guide	Q7829-60162	8
4	Guide, glass	Q7829-60158	1
5	Sensor, paper	Q7829-60163	2
6	Rail and slide sheet assembly	Q7829-60164	1



**Tip** To order a whole unit replacement scanner, see [Accessories, supplies, and whole unit components on page 573](#).



**NOTE** Not all components listed in the parts tables can be ordered. If a component listed has an associated part number, then it is a field replaceable unit (FRU) and can be ordered. If the component does not have an associated part number, you must order the FRU that includes the desired component.