

Scanner top assembly

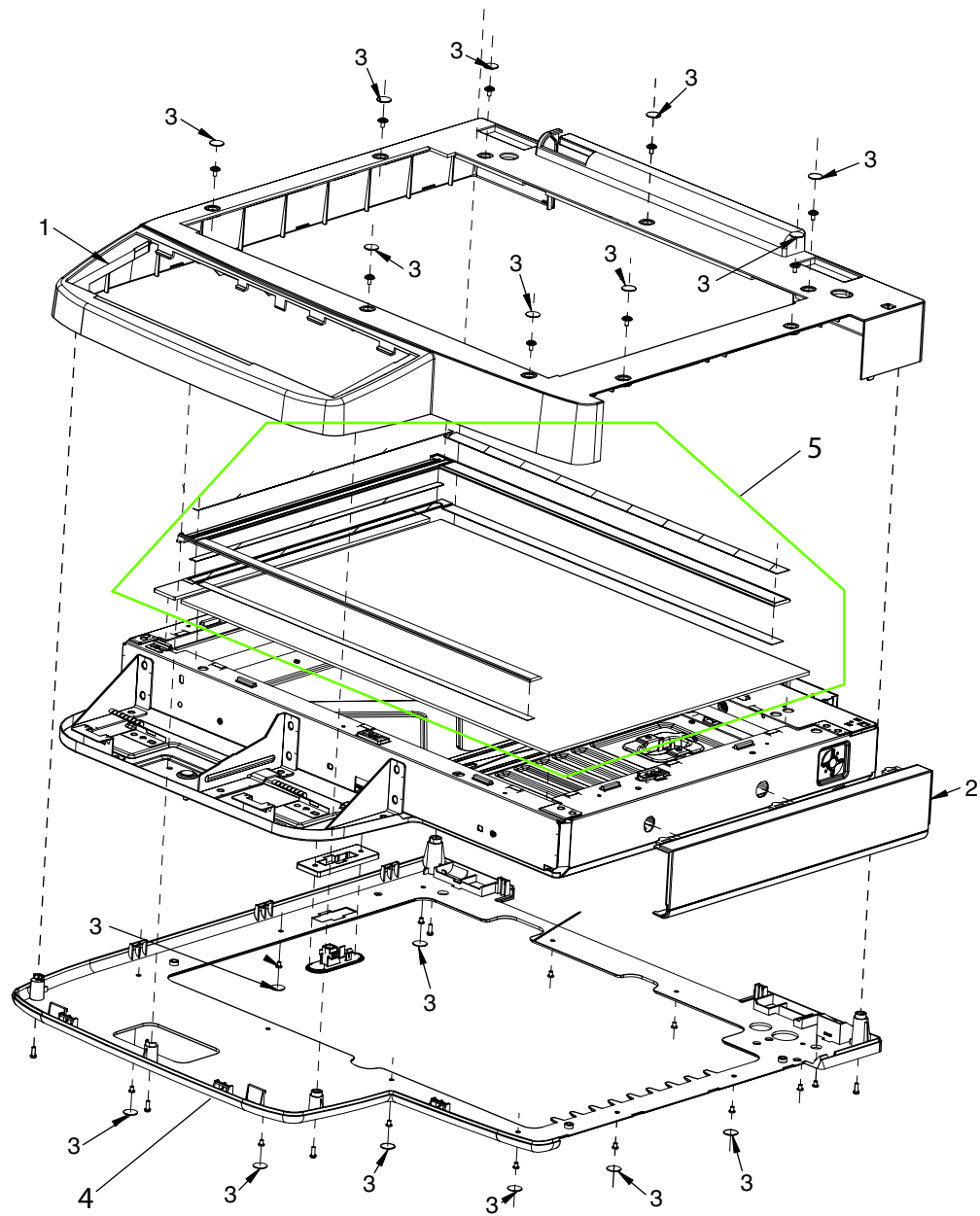


Figure 7-12 Scanner top assembly

Table 7-14 Scanner top assembly

Ref	Description	Part number	Qty
1	Top cover	Q7829-60152	1
2	Right cover	Q7829-60153	1
3	Adhesive cover	Q7829-60144	1
4	Cover, bottom	Q7829-60154	1
5	Glass	Q7829-60143	1



NOTE Not all components listed in the parts tables can be ordered. If a component listed has an associated part number, then it is a field replaceable unit (FRU) and can be ordered. If the component does not have an associated part number, you must order the FRU that includes the desired component.