

# Alignment and jogger assembly (stapler/stacker)

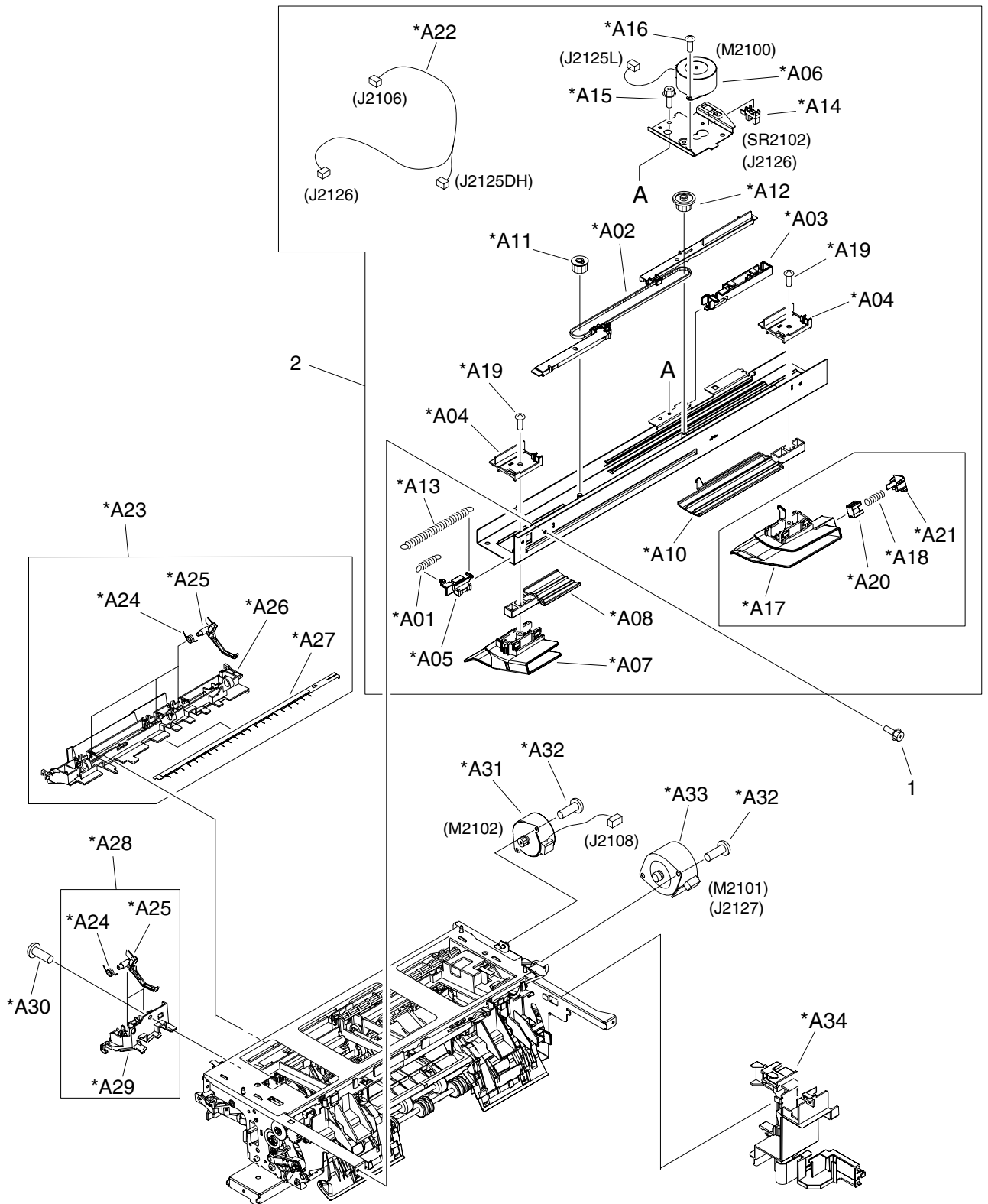


Figure 7-18 Alignment/jogger assembly (stapler/stacker)

**Table 7-20** Alignment and jogger assembly (stapler/stacker)

Ref	Description	Part number	Qty
All	Alignment and jogger assembly	RM1-3098-000CN	1
1	Screw, RS, M3X8	XA9-1386-000CN	3
2	Jog guide assembly	RM1-3099-000CN	1
A01	Spring, tension		1
A02	Jog guide belt assembly		1
A03	Guide, jog cable		1
A04	Cap, rail		2
A05	Guide, rail		1
A06	Motor, stepping, DC		1
A07	Guide, slide, front		1
A08	Cover, jog, front		1
A09	Slide guide rear assembly		1
A10	Cover, jog, rear		1
A11	Pulley, 26T		1
A12	Pulley/gear, 37T		1
A13	Spring, tension		1
A14	Photo interrupter, TLP1243		1
A15	Screw, RS, M3X8		1
A16	Screw, w/washer, M3X8		2
A17	Guide, slide, rear		1
A18	Spring, compression		1
A19	Screw, tapping, pan head, M4X10		2
A20	Guide, jog surface		1
A21	Stopper, surface guide		1
A22	Cable, jog unit		1
A23	Left guide assembly		1
A24	Spring, torsion		5
A25	Flag, retaining		1
A26	Guide, left		1
A27	Eliminator, static charge		1
A28	Left guide front assembly		1
A29	Guide, left, front		1
A30	Screw, tapping, pan head, M4X10		1
A31	Motor, stepping DC		1

Ref	Description	Part number	Qty
A32	Screw, w/washer, M3X8		4
A33	Motor, stepping DC		1
A34	Guide, stage cable		1



**NOTE** Not all components listed in the parts tables can be ordered. If a component listed has an associated part number, then it is a field replaceable unit (FRU) and can be ordered. If the component does not have an associated part number, you must order the FRU that includes the desired component.