

ADF main assembly

Figure 8-13 ADF main assembly

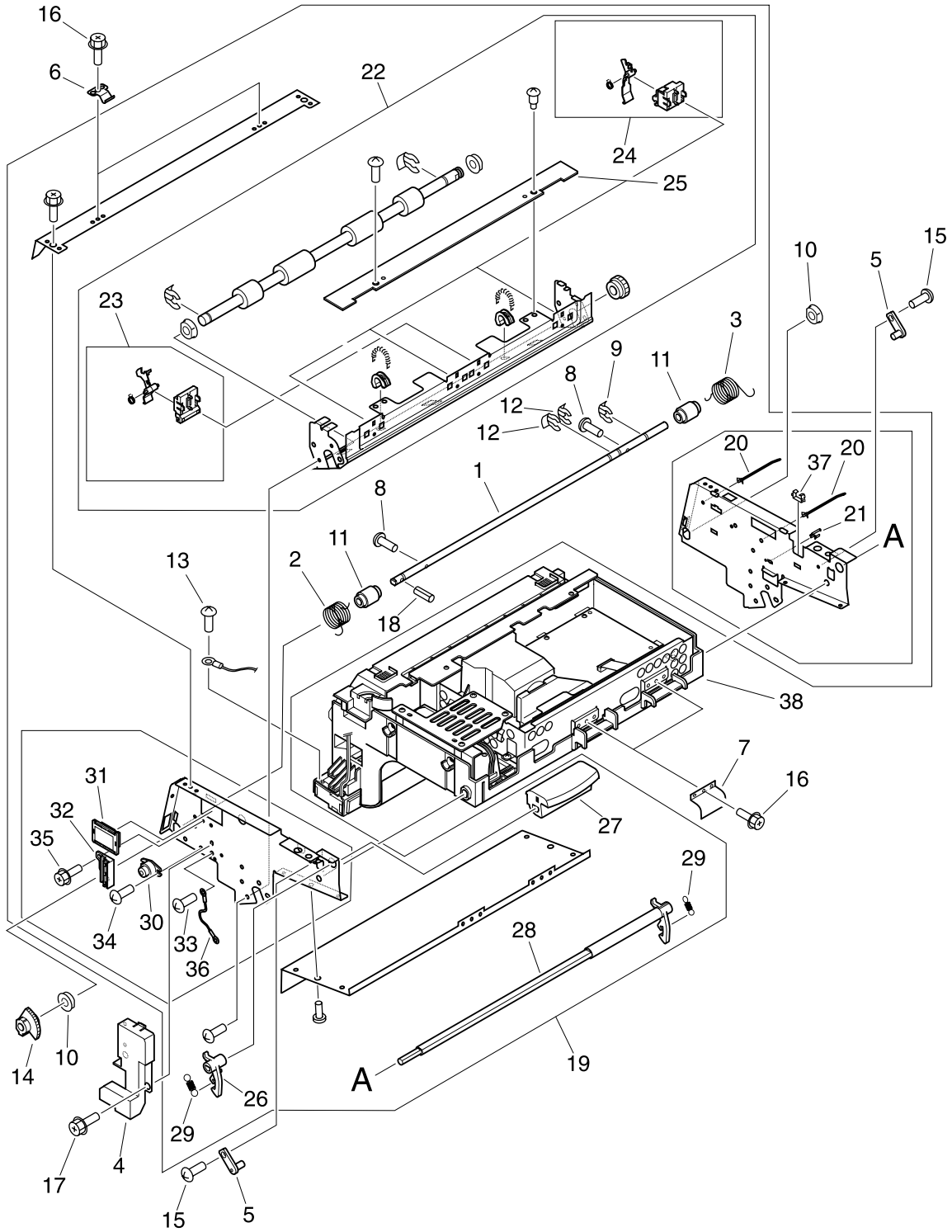


Table 8-11 ADF main assembly

Ref	Description	Part number	Qty
Entire assembly	ADF main assembly	RG5-7379-040CN	1
1	Shaft, support	Not orderable	1
2	Spring, torsion	Not orderable	1
3	Spring, torsion	Not orderable	1
4	Cover, cable	RB2-8031-000CN	3
5	Pin	Not orderable	2
6	Spring, leaf	Not orderable	2
7	Spring, leaf	Not orderable	2
8	Screw, M4x6	Not orderable	2
9	Ring, stop	Not orderable	1
10	Bushing	Not orderable	2
11	Collar	Not orderable	1
12	Clip	Not orderable	2
13	Screw, w/washer M4x6	Not orderable	1
14	Gear, 50T	Not orderable	1
15	Screw, M3x8	Not orderable	2
16	Screw, RS M3x6	Not orderable	6
17	Screw, RS M3x8	Not orderable	2
18	Pin, spring	Not orderable	1
19	Cartridge frame assembly	Not orderable	1
20	Clamp, cable	Not orderable	2
21	Clamp, cable	Not orderable	1
22	Registration guide assembly	RG5-6304-040CN	4
23	Registration sensor holder assy	RG5-6305-000CN	1
24	Timing sensor holder assembly	RG5-6306-020CN	3
25	ADF sensor PCA	RH5-3079-030CN	1
26	Lever, knob	RB2-8017-000CN	1
27	Knob	RB2-8015-000CN	1
28	Shaft, knob	RB2-8016-000CN	1
29	Spring, tension	RS6-2503-000CN	2
30	Gear damper unit	Not orderable	1
31	Guide, edge	Not orderable	1
32	Guide, cable	Not orderable	1
33	Screw, w/washer M4x6	Not orderable	1

Table 8-11 ADF main assembly (continued)

Ref	Description	Part number	Qty
34	Screw, M3x8	Not orderable	2
35	Screw, RS M3x8	Not orderable	1
36	Grounding cable	Not orderable	1
37	Guide, cable	Not orderable	1
38	ADF optical assembly	RG5-6307-020CN	1