

ADF optical assembly

Figure 8-14 ADF optical assembly

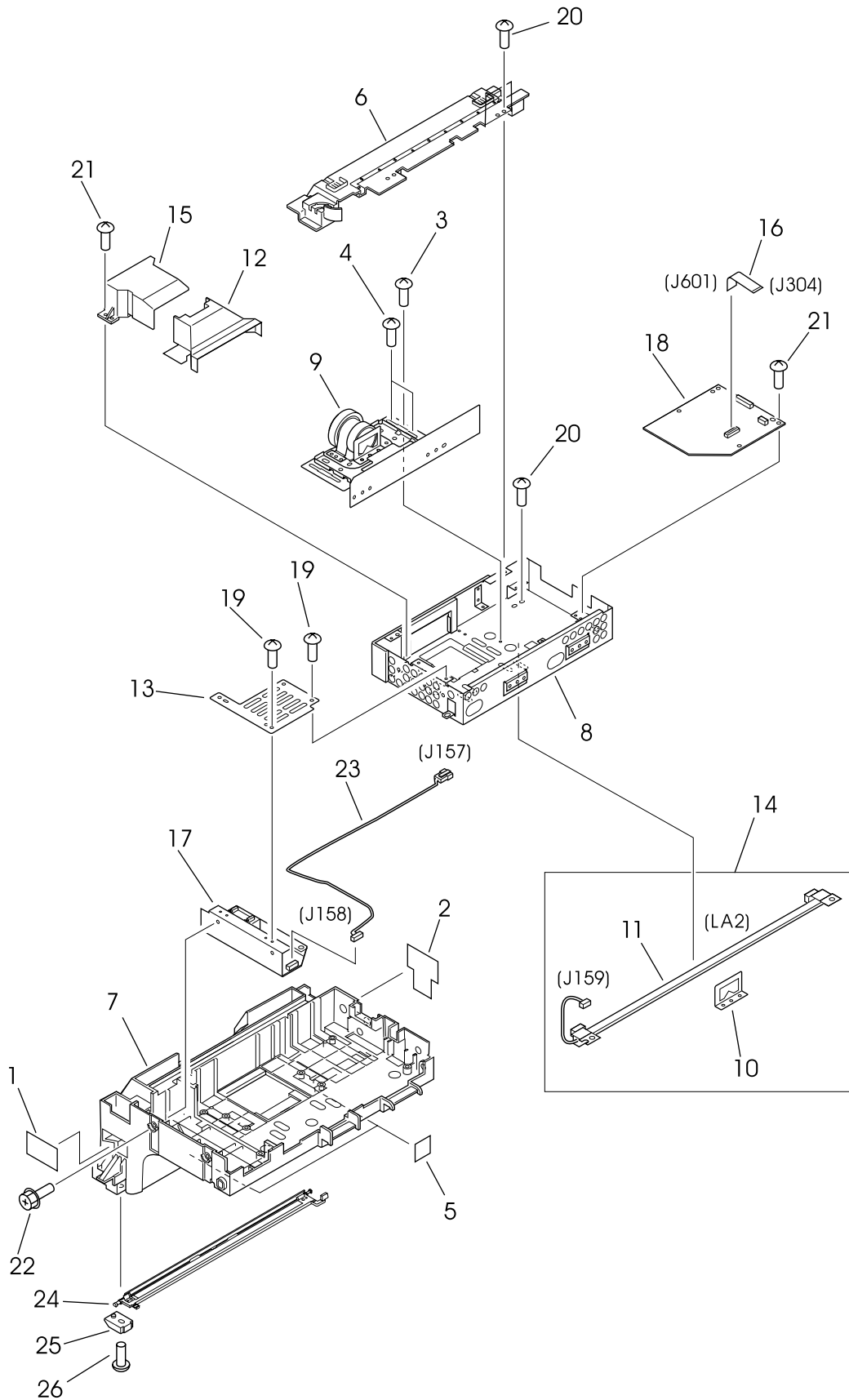


Table 8-12 ADF optical assembly

Ref	Description	Part number	Qty
Entire assembly	ADF optical assembly	RG5-6307-020CN	1
1	Sheet, front	Not orderable	1
2	Sheet, rear	Not orderable	1
3	Screw, w/washer M4x6	Not orderable	2
4	Screw, w/washer M3x12	Not orderable	4
5	Damper sheet	Not orderable	2
6	Cover, unit	Not orderable	1
7	ADF scanner assembly chassis	Not orderable	1
8	ADF shield box assembly	Not orderable	1
9	ADF Lens assembly	Not orderable	1
10	Plate, shading	Not orderable	1
11	Lamp	Not orderable	1
12	Cover, lens	Not orderable	1
13	Plate, heat sink	Not orderable	1
14	ADF lamp assembly	Not orderable	1
15	Cover, lens	Not orderable	1
16	Cable, CCD	Not orderable	1
17	Inverter PCA	Not orderable	1
18	ADF analog processor PCA	Not orderable	1
19	Screw, TP M3x6	Not orderable	4
20	Screw, M4x10	Not orderable	4
21	Screw, M3x8	Not orderable	8
22	Screw, RS M3x6	Not orderable	2
23	Cable, ADF inverter	Not orderable	1
24	Flip-down glass assembly	Not orderable	1
25	Plate, glass	Not orderable	2
26	Screw, TP M3x6	Not orderable	2