

Drum feed drive assembly

Figure 8-22 Drum feed drive assembly

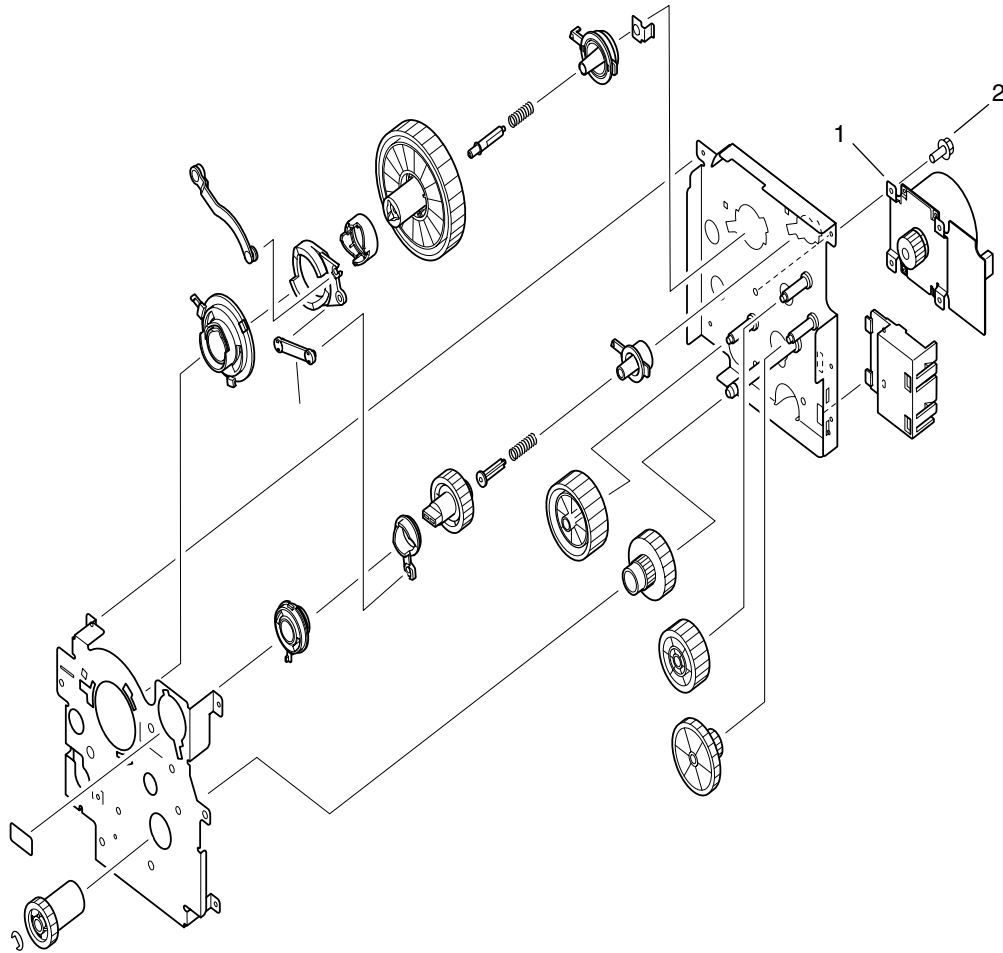


Table 8-20 Drum feed drive assembly

Ref	Description	Part number	Qty
Entire assembly	Drum feed drive assembly	RG5-5656-080CN	1
1	Main motor (M2)	RH7-1656-000CN	1
2	Screw, M3x6	XA9-1495-000CN	