

Figure 8-19 Print engine internal components (2 of 4)

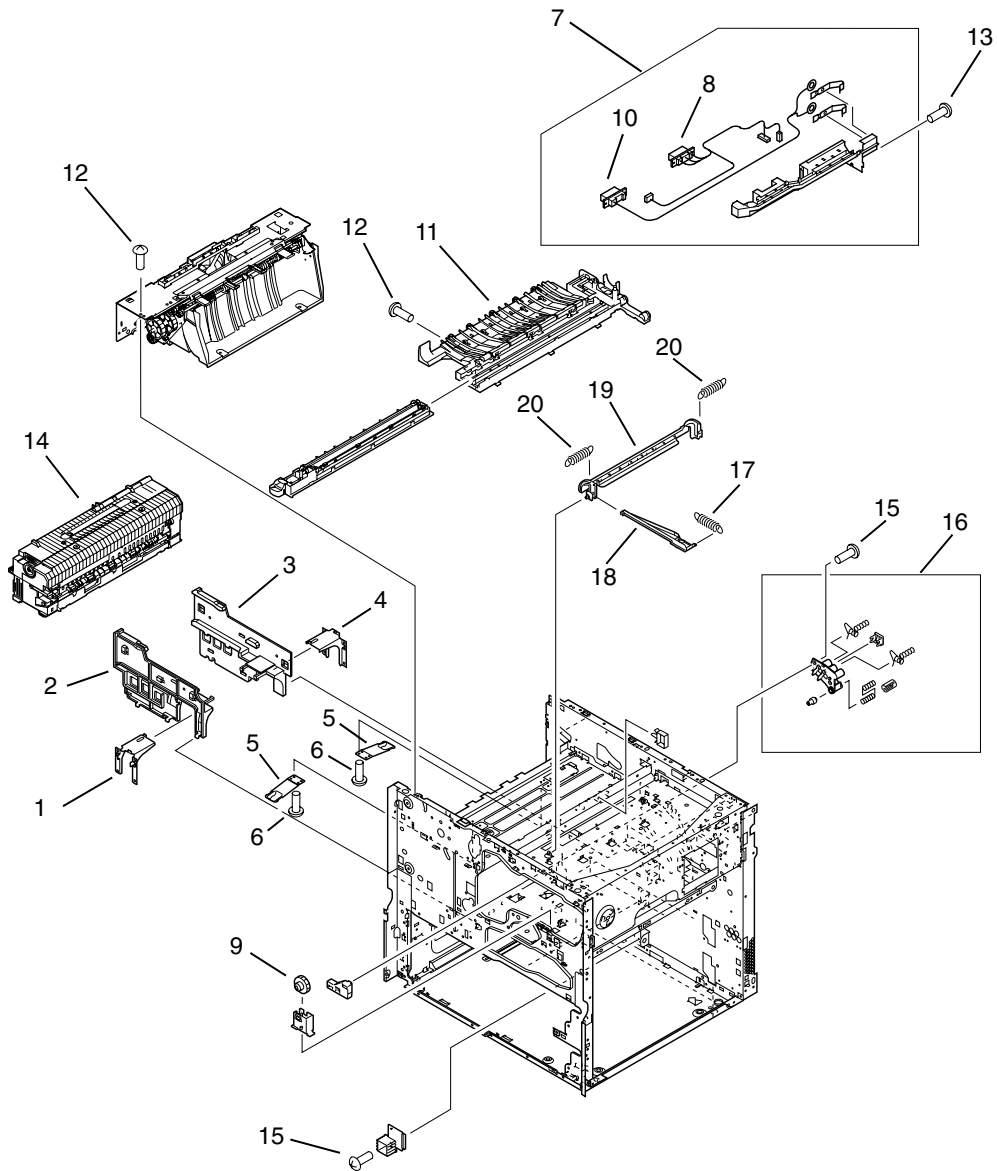


Table 8-17 Print engine internal components (2 of 4)

Ref	Description	Part number	Qty
1	Front fusing mount	RB2-5517-020CN	1
2	Front fusing rail	RB2-5515-000CN	1
3	Back fusing rail	RB2-5516-000CN	1
4	Back fusing mount	RB2-5518-020CN	1
5	Spring, leaf	RB2-5523-000CN	2
6	Screw, M3x6	XA9-1495-000CN	
7	Fuser connector holder assembly	RG5-5724-050CN	1
8	Fuser power cable	RG5-8025-000CN	1
9	Gear, 21T	RS5-0708-000CN	1
10	Fuser high-voltage cable	RG5-8034-000CN	1
11	Feed guide, transfer	RG5-5651-030CN	1
12	Screw, M3x6, RS	XA9-1495-000CN	
13	Screw, M3x8, RS	XA9-1500-000CN	
14	Fuser assembly, 110 V	RG5-5750-270CN	1
14	Fuser assembly, 220 V	RG5-5751-270CN (220V)	1
15	Screw, M3x8	XA9-1500-000CN	
16	Toner contact assembly	RG5-5717-020CN	1
17	Spring, tension	RS6-2299-000CN	
18	Arm, shutter	RB2-5639-000CN	1
19	Shutter, laser	RB2-5640-000CN	1
20	Spring, tension	RS6-2296-000CN	2