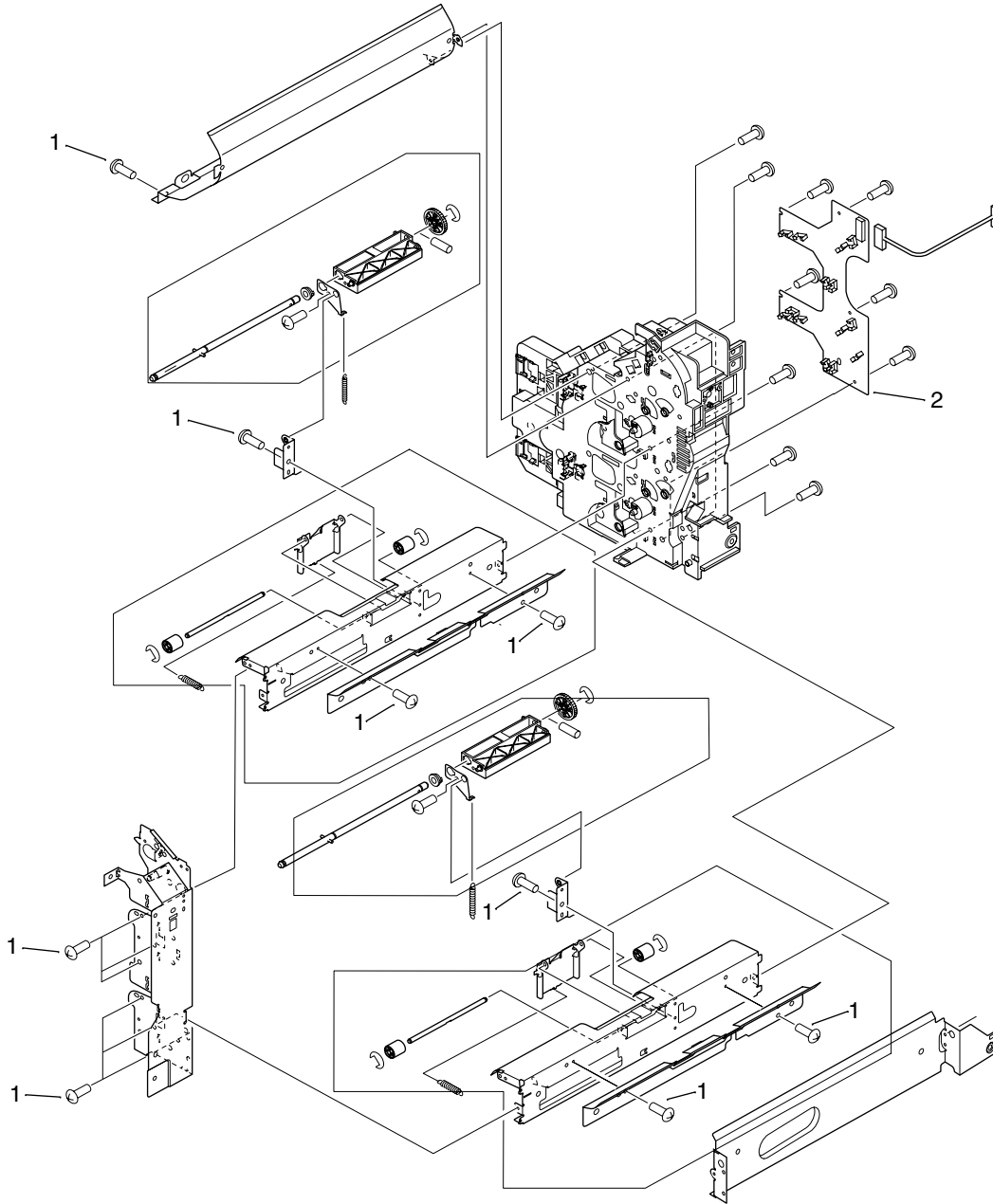


# Paper input unit

Figure 8-26 Paper input unit



**Table 8-24 Paper input unit**

Ref	Description	Part number	Qty
Entire assembly	Paper input unit	RG5-5681-090CN	1
1	Screw, M3x6, RS	XA9-1495-000CN	
2	Paper pickup PCA	RG5-7896-000CN	1