

Tray 4 PCA location

Figure 8-34 Tray 4 PCA location

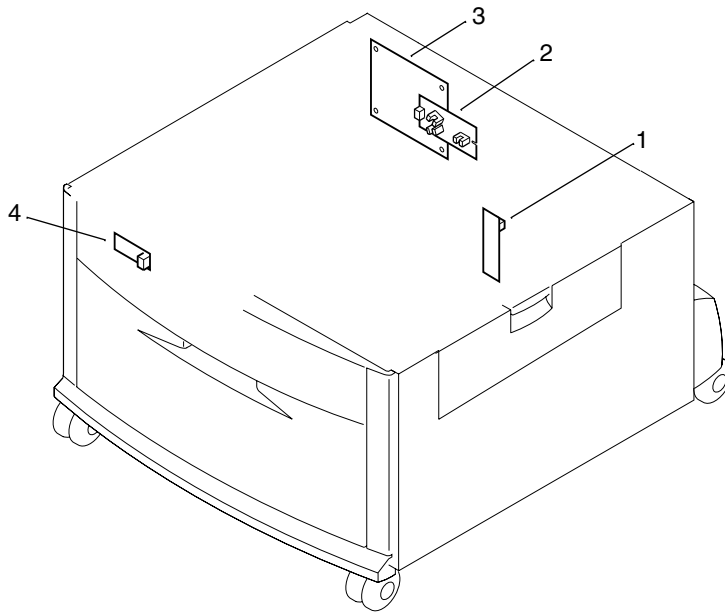


Table 8-32 Tray 4 PCA location

Ref	Description	Part number	Qty
1	Paper size PCA	RG5-6238-020CN	1
2	Paper volume PCA	RG5-6237-020CN	1
3	Deck controller PCA	RG5-6235-150CN	1
4	LED PCA	RG5-6239-020CN	1