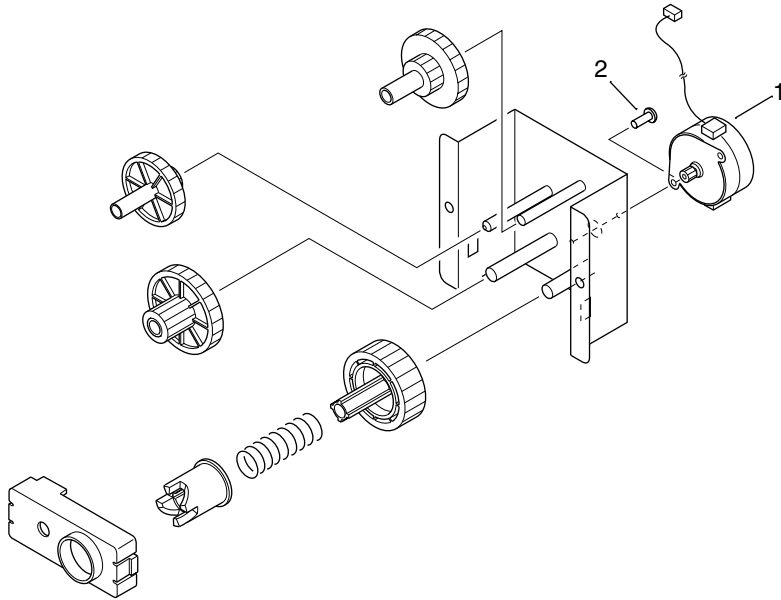


# Tray 4 drive assembly

Figure 8-33 Tray 4 drive assembly



**Table 8-31 Tray 4 drive assembly**

Ref	Description	Part number	Qty
Entire assembly	Tray 4 deck drive assembly	RG5-6228-060CN	1
1	Motor	RH7-1481-020CN	1
2	Screw, M3x6 with washer	XB2-6300-180CN	2