

Tray 4 main body

Figure 8-31 Tray 4 main body (1 of 2)

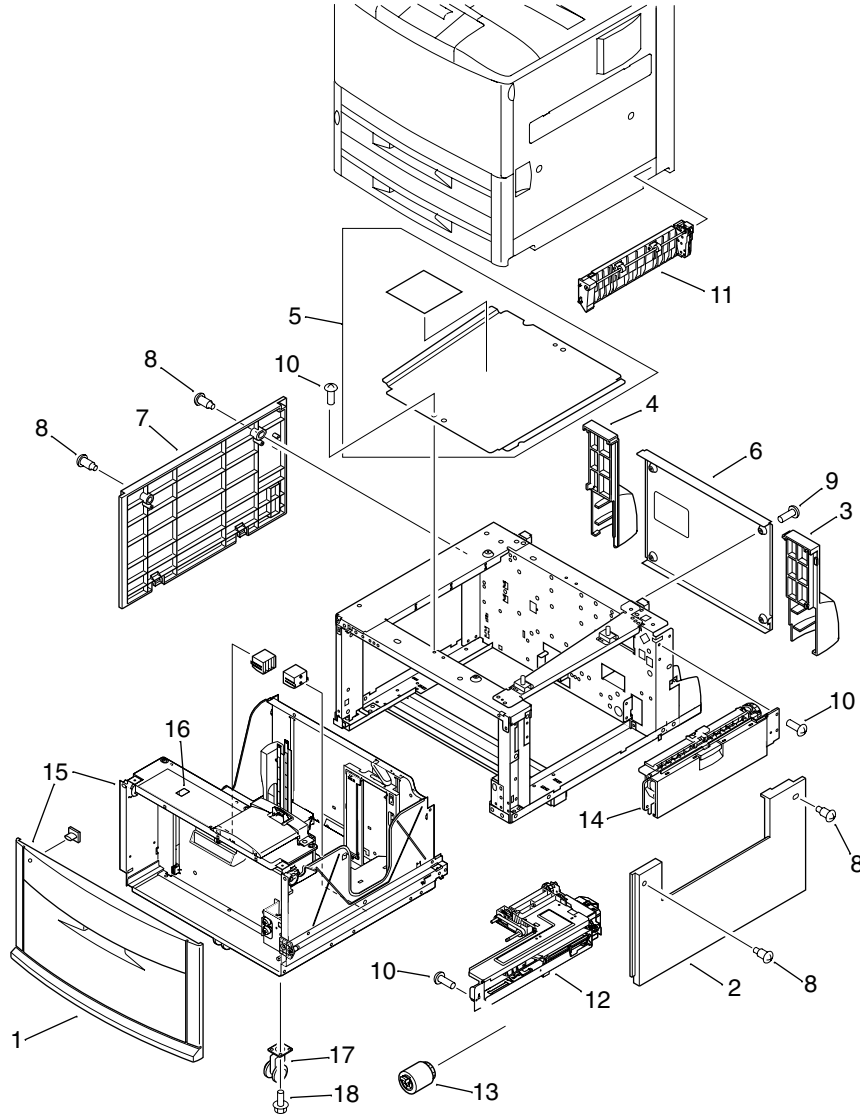


Table 8-29 Tray 4 main body (1 of 2)

Ref	Description	Part number	Qty
1	Cover, front	RB2-7648-040CN	1
2	Cover, right	RB2-7649-000CN	1
3	Cover, right back	RB2-7650-000CN	1
4	Cover, left back	RB2-7651-000CN	1
5	Cover, center	RB2-7652-000CN	1
6	Cover, back	RF5-3644-020CN	1
7	Cover, left	RF5-3645-000CN	1
8	Screw, stepped	RS5-9099-000CN	6
9	Screw, W/W, M4x6	XA9-0499-000CN	7
10	Screw, M4x6	XB6-7400-000CN	
11	Paper path connection unit (PPCU)	RG5-6227-040CN	1
12	Paper input unit (PIU)	RG5-6208-180CN	1
13	Feed/separation rollers	RF5-3338-000CN	3
14	Tray 4 vertical registration assembly (VTU/ VRA)	RG5-6225-100CN	1
15	Tray 4	C8531-67908	1
16	Lever, standard/custom	RB2-7762-020CN	1
17	Caster	RB2-7709-020CN	2
18	Screw, M4x8	XA9-1300-000CN	7
N/A	Tray 4-to-engine stabilizing screws	0515-4318	2