

500-sheet trays (Tray 2 and Tray 3)

Figure 8-25 Tray 2 or Tray 3 parts

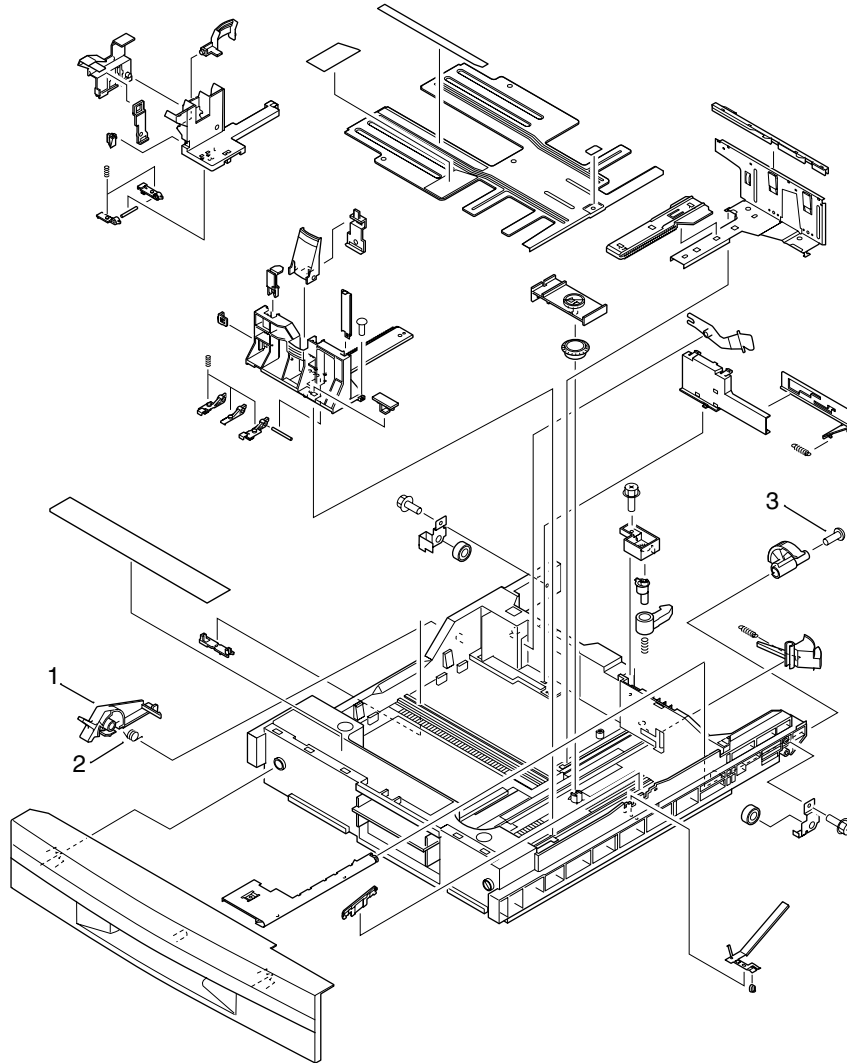


Table 8-23 Tray 2 or Tray 3 parts

Ref	Description	Part number	Qty
Entire assembly	500-sheet trays	RG5-5635-110CN	1
1	Custom/standard switch	RB2-5813-000CN	1
2	Spring, torsion	RB2-5816-000CN	1
3	Screw, W/W, M3x29.5	XA9-1466-000CN	