

# ADF paper pickup assembly

Figure 8-11 ADF paper pickup assembly (1 of 2)

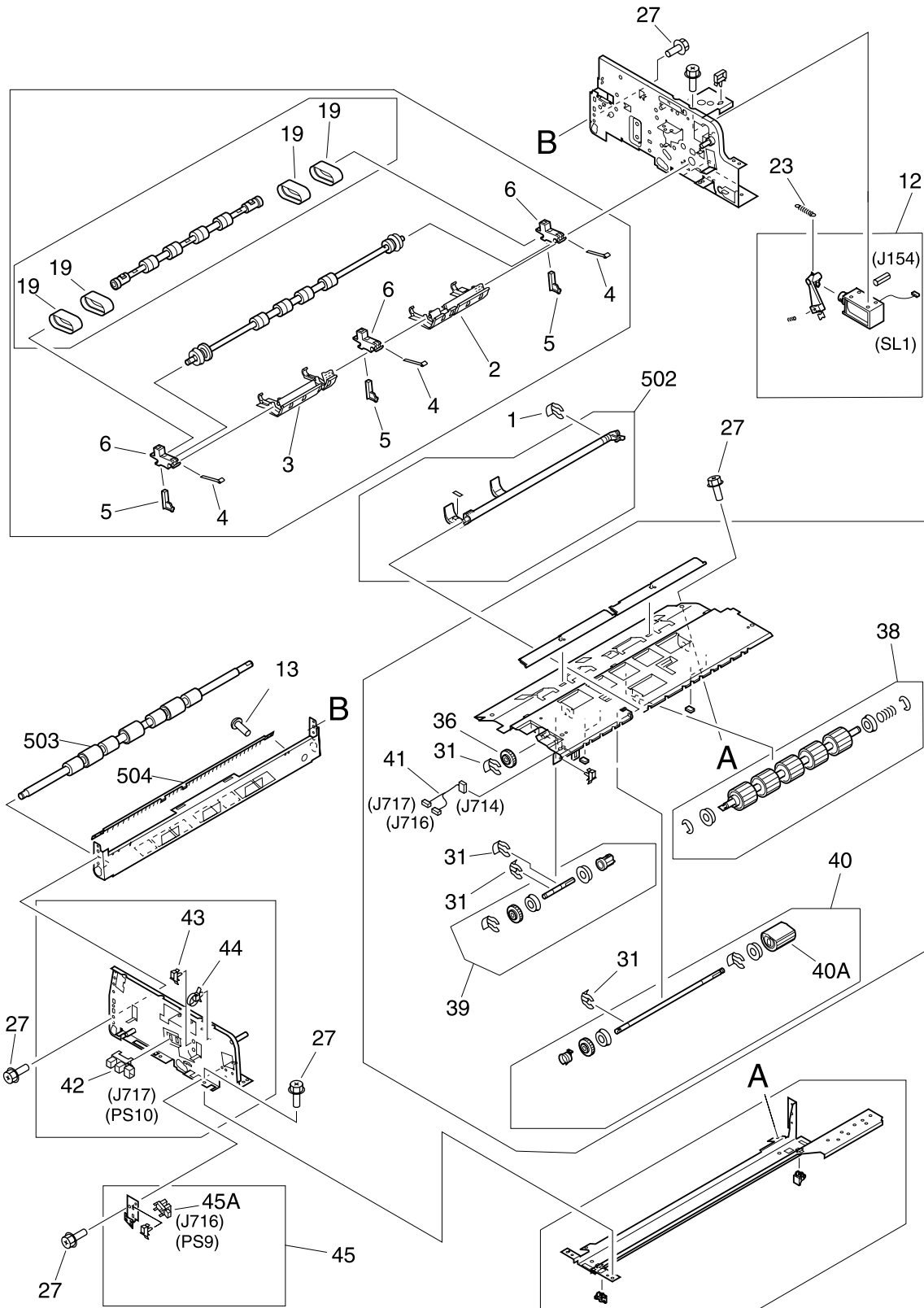
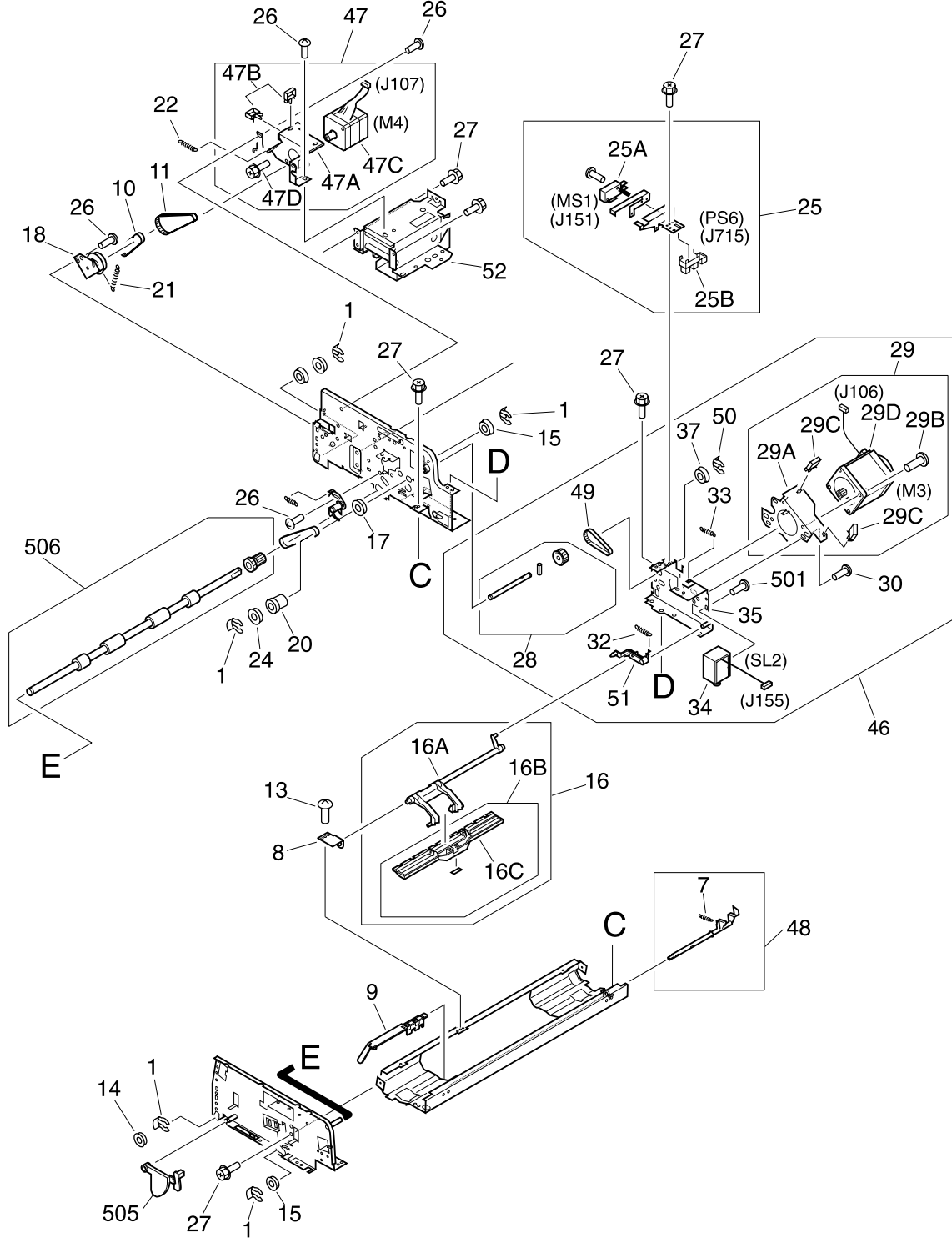


Figure 8-12 ADF paper pickup assembly (2 of 2)



**Table 8-10 ADF paper pickup assembly**

| Ref             | Description                | Part number    | Qty |
|-----------------|----------------------------|----------------|-----|
| Entire assembly | ADF paper pickup assembly  | RG5-6275-060CN | 1   |
| 1               | Clip                       | Not orderable  | 6   |
| 2               | Arm, flapper rear          | RF5-3689-020CN | 1   |
| 3               | Arm, flapper               | RF5-3688-020CN | 1   |
| 4               | Spring, leaf               | RB2-7991-000CN | 3   |
| 5               | Holder, spring             | RB2-7990-000CN | 3   |
| 6               | Holder, separation         | RB2-7989-000CN | 3   |
| 7               | Spring, tension            | Not orderable  | 1   |
| 8               | Plate, bracket             | Not orderable  | 1   |
| 9               | Lever, empty               | RB2-8002-000CN | 1   |
| 10              | Belt, timing               | Not orderable  | 1   |
| 11              | Belt, timing               | Not orderable  | 1   |
| 12              | Weight solenoid assembly   | RG5-6289-020CN | 1   |
| 13              | Screw, M3x5                | Not orderable  | 3   |
| 14              | Bushing                    | Not orderable  | 1   |
| 15              | Bushing                    | Not orderable  | 2   |
| 16              | Weight assembly            | RG5-6298-000CN | 1   |
| 16A             | Arm, weight                | Not orderable  | 1   |
| 16B             | Weight holder assembly     | Not orderable  | 1   |
| 16C             | Holder, weight plate       | RB2-7999-000CN | 1   |
| 17              | Bushing                    | Not orderable  | 1   |
| 18              | Arm, tension               | Not orderable  | 1   |
| 19              | Belt, timing               | RB2-7988-000CN | 4   |
| 20              | Pulley 17T                 | Not orderable  | 1   |
| 21              | Spring, tension            | Not orderable  | 1   |
| 22              | Spring, tension            | RS6-2496-000CN | 1   |
| 23              | Spring, tension            | RS6-2498-000CN | 1   |
| 24              | Gear, 16T                  | Not orderable  | 1   |
| 25              | Empty sensor bracket       | Not orderable  | 1   |
| 25A             | Micro-switch               | WC4-5175-000CN | 1   |
| 25B             | Photo-interrupter, TLP1241 | Not orderable  | 1   |
| 26              | Screw, M3x8                | Not orderable  | 6   |
| 27              | Screw, RS M3x6             | Not orderable  | 23  |
| 28              | Gear shaft assembly        | Not orderable  | 1   |

**Table 8-10 ADF paper pickup assembly (continued)**

| Ref | Description                | Part number    | Qty |
|-----|----------------------------|----------------|-----|
| 29  | Drive tension bracket      | Not orderable  | 1   |
| 29A | Bracket, tension           | Not orderable  | 1   |
| 29B | Screw, M4x8                | Not orderable  | 2   |
| 29C | Clamp                      | Not orderable  | 2   |
| 29D | Motor, 24vdc               | RH7-1488-030CN | 1   |
| 30  | Screw, M3x8                | Not orderable  | 3   |
| 31  | Clip                       | Not orderable  | 4   |
| 32  | Spring, tension            | Not orderable  | 1   |
| 33  | Spring, tension            | RS6-2496-000CN | 1   |
| 34  | Solenoid                   | RH7-5312-020CN | 1   |
| 35  | Mount, motor               | Not orderable  | 1   |
| 36  | Gear, 28T                  | Not orderable  | 1   |
| 37  | Bushing                    | Not orderable  | 1   |
| 38  | Separation roller assembly | RG5-6281-030CN | 1   |
| 39  | Separation shaft assembly  | Not orderable  | 1   |
| 40  | Pickup roller assembly     | RG5-6283-020CN | 1   |
| 40A | Roller, pickup             | RB2-7961-000CN | 1   |
| 41  | ADF sensor cable           | Not orderable  | 1   |
| 42  | Photo-interrupter, TLP1241 | Not orderable  | 1   |
| 43  | Clamp. cable               | Not orderable  | 1   |
| 44  | Clamp. cable               | Not orderable  | 1   |
| 45  | Pickup sensor assembly     | RG5-6285-020CN | 1   |
| 45A | Photo-interrupter, TLP1241 | WG8-5624-000CN | 1   |
| 46  | Drive motor assembly       | Not orderable  | 1   |
| 47  | Feed motor assembly        | Not orderable  | 1   |
| 47A | Plate, motor mount         | Not orderable  | 1   |
| 47B | Clamp                      | Not orderable  | 3   |
| 47C | Motor, 24vdc               | RH7-1487-020CN | 1   |
| 47D | Screw, RS M3x6             | Not orderable  | 2   |
| 48  | Flag, empty                | RB2-7978-000CN | 1   |
| 49  | Belt, timing               | Not orderable  | 1   |
| 50  | Clip                       | Not orderable  | 1   |
| 51  | Lever, shutter             | Not orderable  | 1   |

**Table 8-10 ADF paper pickup assembly (continued)**

| Ref | Description  | Part number    | Qty |
|-----|--|----------------|-----|
| 52  | ADF left hinge   | Not orderable  | 1   |
|     | <b>NOTE:</b> The ADF left hinge is included with the ADF paper pickup assembly (RG5-6275-060CN). |                |     |
| 501 | Screw, TP M3x4   | Not orderable  | 1   |
| 502 | Shutter assembly   | RG5-6286-000CN | 1   |
| 503 | Roller delivery  | RG5-6266-000CN | 1   |
| 504 | Static charge eliminator   | RB2-7970-000CN | 1   |
| 505 | Lever, open  | RB2-8002-000CN | 1   |
| 506 | Registration roller assembly   | RG5-6277-000CN | 1   |