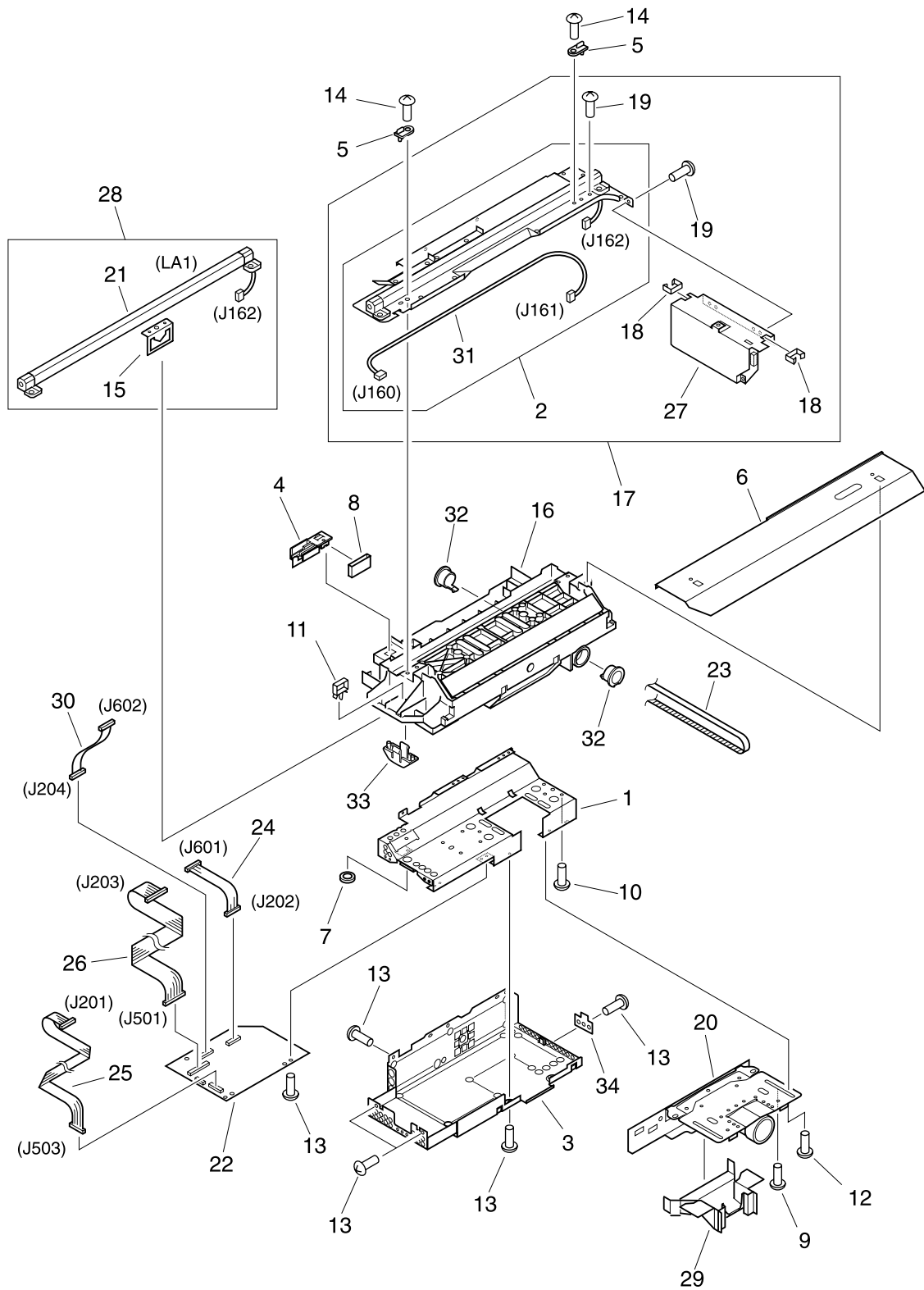


# Flatbed optical assembly

Figure 8-9 Flatbed optical assembly



**Table 8-8 Flatbed optical assembly**

Ref	Description	Part number	Qty
Complete assembly	Flatbed optical assembly	RG5-6263-070CN	1
1	Cover, shield	Not orderable	1
2	Lamp assembly	Not orderable	1
3	Plate, shield	Not orderable	1
4	Holder FFC	Not orderable	1
5	Spindle	Not orderable	2
6	Guide, cartridge	Not orderable	1
7	Edge, cable	Not orderable	1
8	Ferrite core	Not orderable	1
9	Screw, w/washer M4x6	Not orderable	2
10	Screw, M3x12	Not orderable	4
11	Clamp, cable	Not orderable	1
12	Screw, w/washer M3x12	Not orderable	4
13	Screw, TP M3x6	Not orderable	8
14	Screw, M4x10	Not orderable	2
15	Plate, shading	Not orderable	1
16	Flatbed sub frame assembly	Not orderable	1
17	Flatbed lamp assembly	Not orderable	1
18	Clip, cable	Not orderable	2
19	Screw, TP M3x6	Not orderable	3
20	CCD lens assembly	Not orderable	1
21	Lamp	Not orderable	1
22	Flatbed analog processor	Not orderable	1
23	Belt, timing	Not orderable	1
24	Cable, CCD	Not orderable	1
25	Cable, flatbed	Not orderable	1
26	Cable, power	Not orderable	1
27	Inverter PCA	Not orderable	1
28	Flatbed lamp assembly	Not orderable	1
29	Cover, lens	Not orderable	1
30	Cable, scanner	Not orderable	1
31	Cable, lamp	Not orderable	1
32	Bushing	Not orderable	2

**Table 8-8 Flatbed optical assembly (continued)**

Ref	Description	Part number	Qty
33	Block, slide	Not orderable	1
34	Sheet, cover	Not orderable	1