

Fuser delivery drive assembly

Figure 8-23 Fuser delivery drive assembly

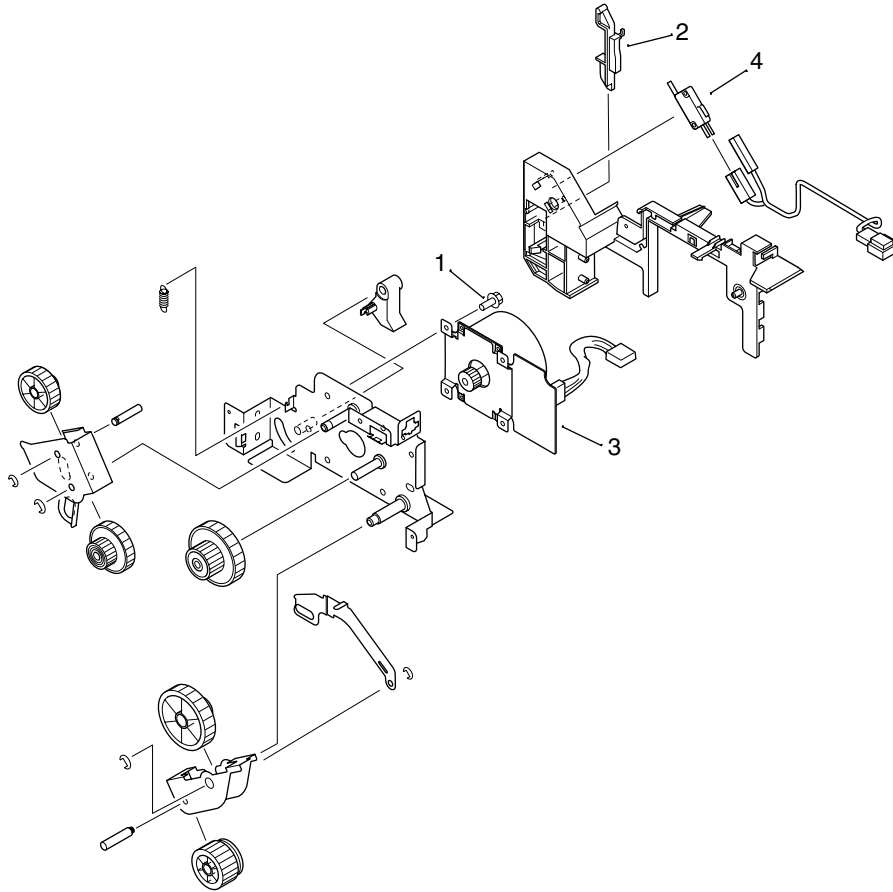


Table 8-21 Fuser delivery drive assembly

Ref	Description	Part number	Qty
Entire assembly	Fuser delivery drive assembly	RG5-7789-050CN	1
1	Screw, M3x6, RS	XA9-1495-000CN	
2	Lever, switch	RB2-6077-000CN	1
3	Motor, DC, 24V (M1)	RH7-1622-000CN	1
4	Microswitch (SW1)	WC4-5136-000CN	1