

Print engine internal components

Figure 8-18 Print engine internal components (1 of 4)

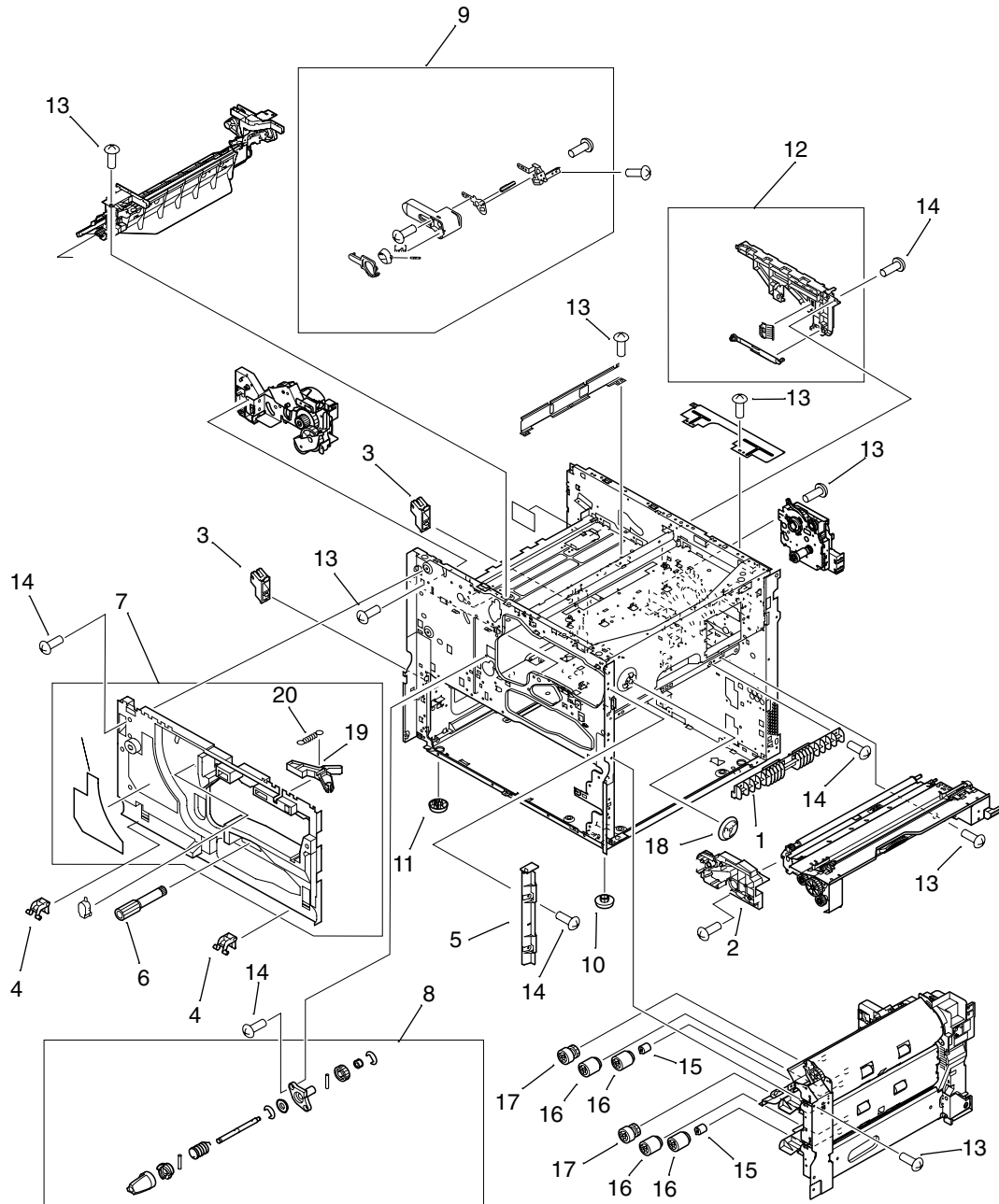


Table 8-16 Print engine internal components (1 of 4)

Ref	Description	Part number	Qty
1	Guide, pickup	RB2-5522-000CN	1
2	Guide, cartridge	RB2-5526-000CN	1
3	Hinge mount, damper	RB2-5570-020CN	2
4	Hinge arm, front cover	RB2-5654-000CN	2
5	Cover, right door, inside	RB2-5697-000CN	1
6	Knob, registration, jam removal	RB2-5845-000CN	1
7	Front inside cover assembly	RG5-5721-000CN	1
8	Jam clearing assembly, fuser	RG5-5700-030CN	1
9	Lever assembly, cartridge release	RG5-5746-030CN	1
10	Foot, right side	RB1-6421-000CN	2
11	Foot, left side	RB2-5529-000CN	2
12	Guide rail, cartridge	RG5-5718-000CN	1
13	Screw, M3x6, RS	XA9-1495-000CN	
14	Screw, M3x8, RS	XA9-1500-000CN	
15	Torque limiter, spacer	RB2-5759-000CN	2
16	Roller, feed/separation	RF5-3338-000CN	4
17	Roller, PICK	RF5-3340-000CN	2
18	Collar	RB2-5547-000CN	1
19	Link, connect	RB2-5528-000CN	1
20	Spring, tension	RS6-2285-000CN	1