

Figure 8-21 Print engine internal components (4 of 4)

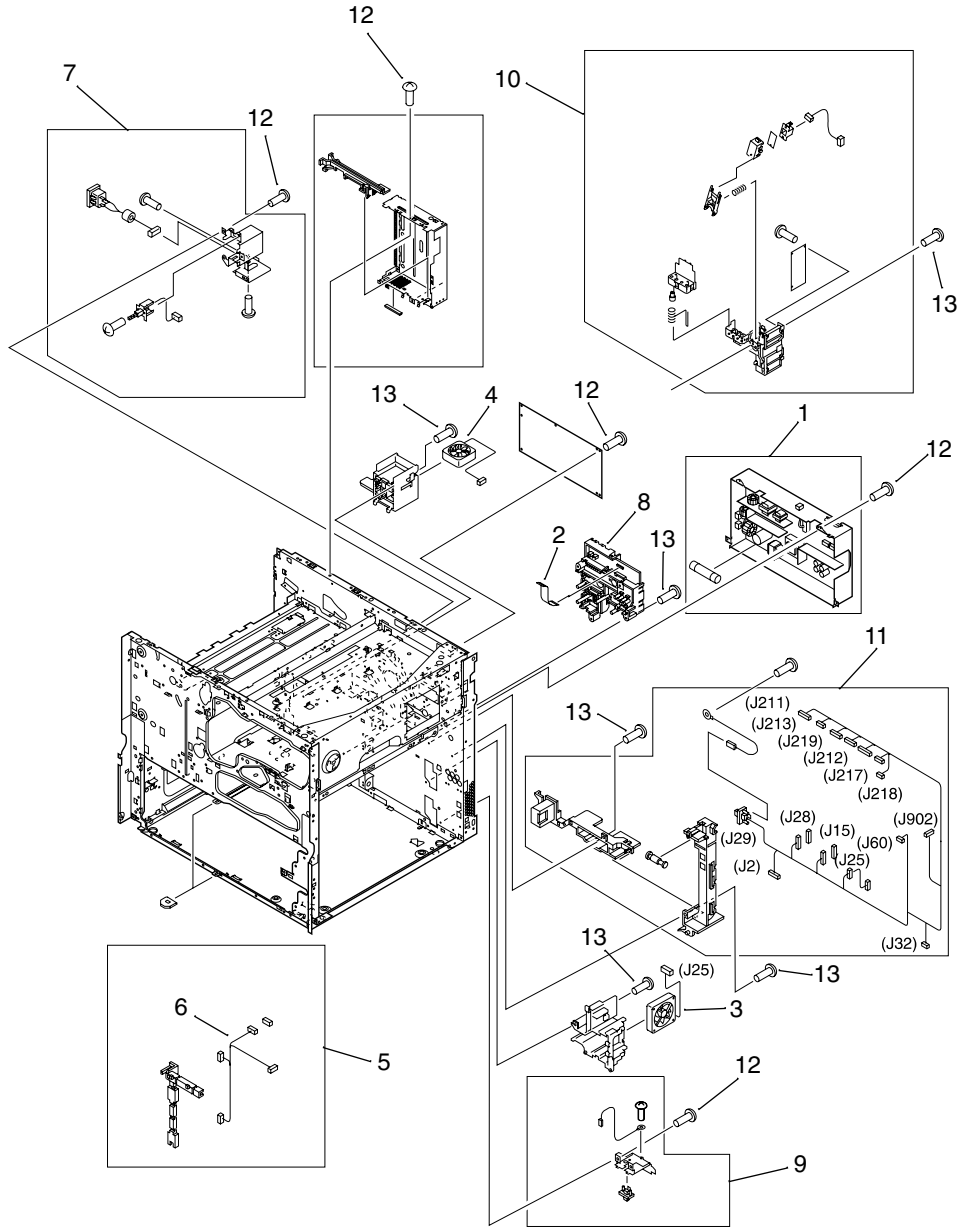


Table 8-19 Print engine internal components (4 of 4)

Ref	Description	Part number	Qty
1	Low voltage power supply assembly 110 V	RG5-7778-030CN	1
1	Low voltage power supply assembly 220 V	RG5-7779-030CN (220V)	1
2	Cable, HVPS flat ribbon	RH2-5445-000CN	1
3	Fan, #1, power supply	RH7-1657-000CN	1
4	Fan, #2, controller	RH7-1623-000CN	1
5	Back cable holder assembly	RG5-7786-000CN	1
6	Fan connecting cable	RG5-7783-000CN	1
7	Inlet assembly (Power SW 10)	RG5-5727-030CN	1
8	High voltage power supply (HVPS)	RG5-5728-100CN	1
9	Connector assembly	RG5-5779-030CN	1
10	Toner sensor contact with memory (antenna)	RG5-5719-100CN	1
11	Main cable harness assembly	RG5-5722-030CN	1
12	Screw, M3x6, RS	XA9-1495-000CN	
13	Screw, M3x8, RS	XA9-1500-000CN	