

PCA locations

Figure 8-30 PCA locations

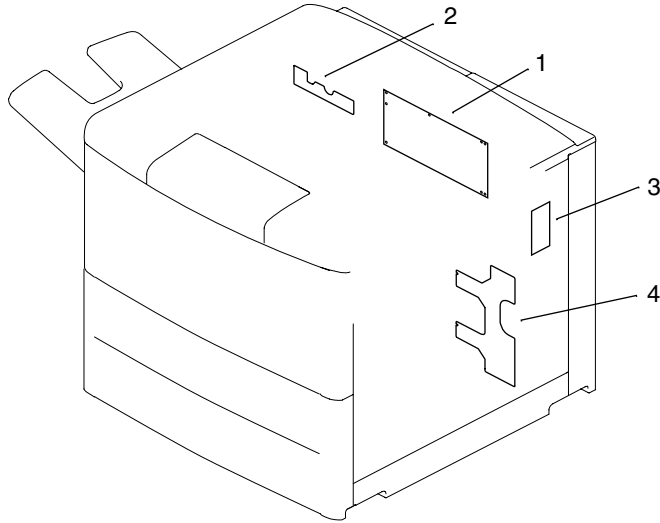


Table 8-28 PCA locations

Ref	Description	Part number	Qty
1	DC controller PCA	RG5-7780-060CN	1
2	Delivery PCA	RG5-8013-000CN	1
3	Print cartridge memory controller PCA	RG5-8009-000CN	1
4	Paper pickup (PIU) PCA	RG5-7896-000CN	1