

Print engine covers and panels

Figure 8-5 Print engine covers and panels

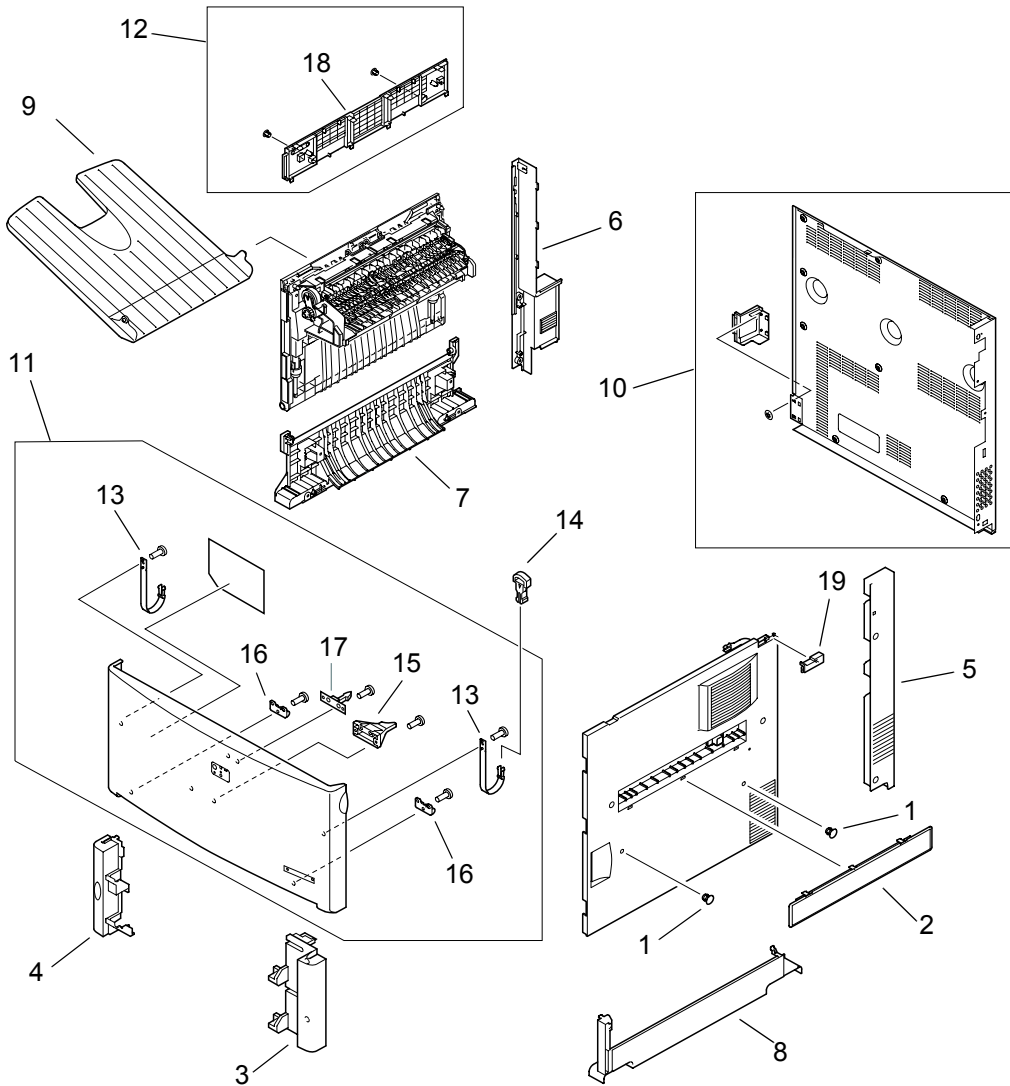


Table 8-6 Print engine covers and panels

| Ref | Description | Part number | Qty |
|-----|-----------------------------------|----------------|-----|
| 1 | Cap, right cover | RB2-5675-000CN | 2 |
| 2 | Cover, tray 1 blanking | RB2-5676-000CN | 1 |
| 3 | Cover, right rail | RB2-5682-000CN | 1 |
| 4 | Cover, left rail | RB2-5683-000CN | 1 |
| 5 | Cover, right back | RB2-5684-000CN | 1 |
| 6 | Cover, left back | RB2-5687-000CN | 1 |
| 7 | Cover, left lower | RB2-5687-000CN | 1 |
| 8 | Cover, right lower | RB2-5689-000CN | 1 |
| 9 | Tray, face-up | RB2-5690-000CN | 1 |
| 10 | Back cover assembly | RG5-5701-000CN | 1 |
| 11 | Front cover assembly | RG5-5702-050CN | 1 |
| 12 | Left upper cover assembly | RG5-5705-030CN | 1 |
| 13 | Tape, cover (retaining strap) | RB2-5653-000CN | 2 |
| 14 | Strap, rock block, retaining clip | RB2-5655-000CN | 2 |
| 15 | Pin | RB2-5656-000CN | 1 |
| 16 | Bushing | RB2-5652-000CN | 2 |
| 17 | Latch, roller-action | RB2-5700-000CN | 1 |
| 18 | Cover, left upper | RB2-6491-000CN | 1 |
| 19 | Plate, lock, right side | RB2-5679-000CN | 1 |