

Right cover assembly

Figure 8-17 Right cover assembly

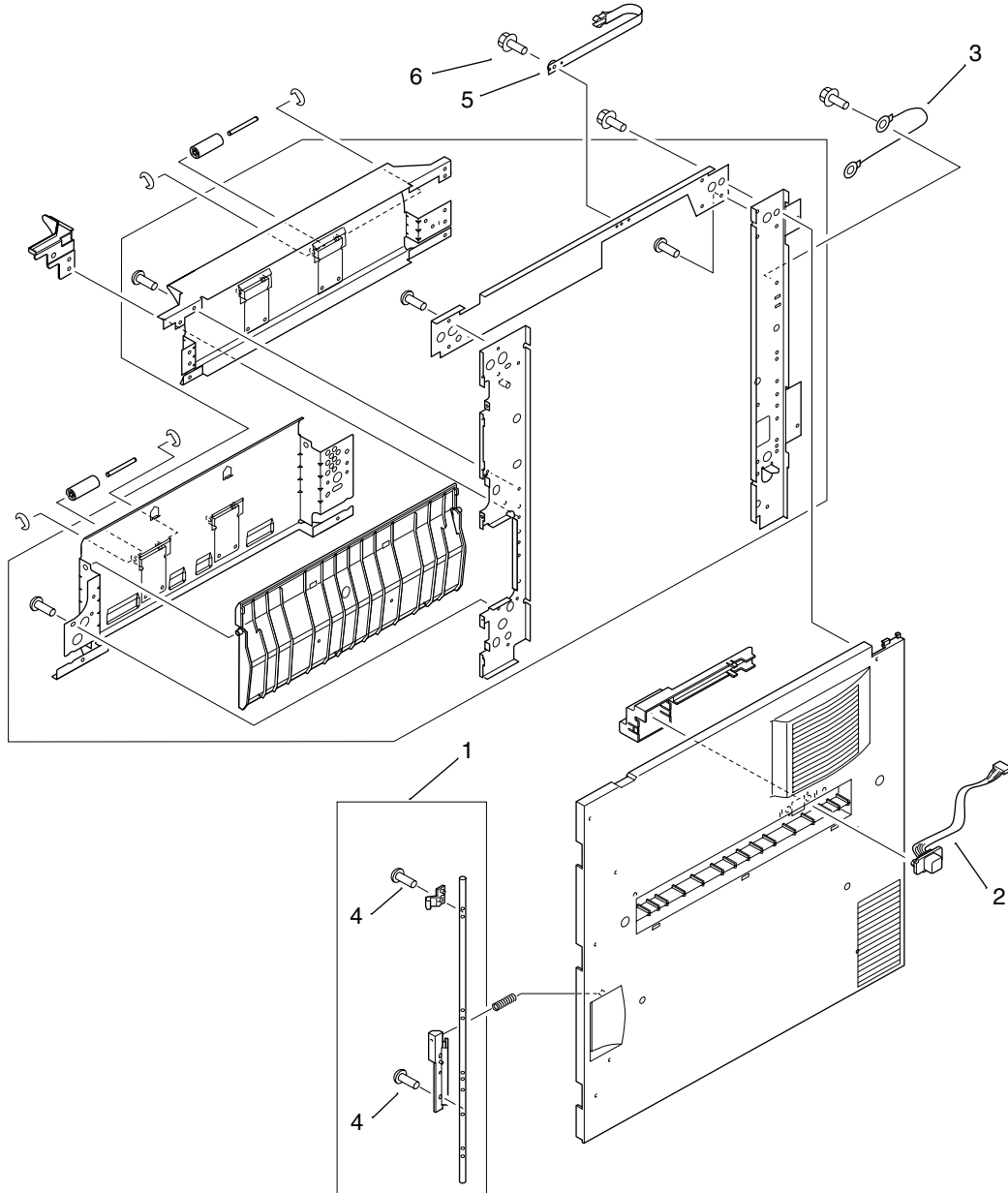


Table 8-15 Right cover assembly

Ref	Description	Part number	Qty
Entire assembly	Right cover assembly	RG5-5737-090CN	1
1	Right cover knob assembly	RG5-5740-020CN	1
2	Cable, tray 1	RG5-8038-000CN	1
3	Grounding cable, tray 1	RG5-5764-000CN	1
4	Screw, M3x8	XA9-1200-000CN	
5	Tape, cover (restraining strap)	RB2-5653-000CN	1
6	Screw, M3x8, RS	XA9-1500-000CN	