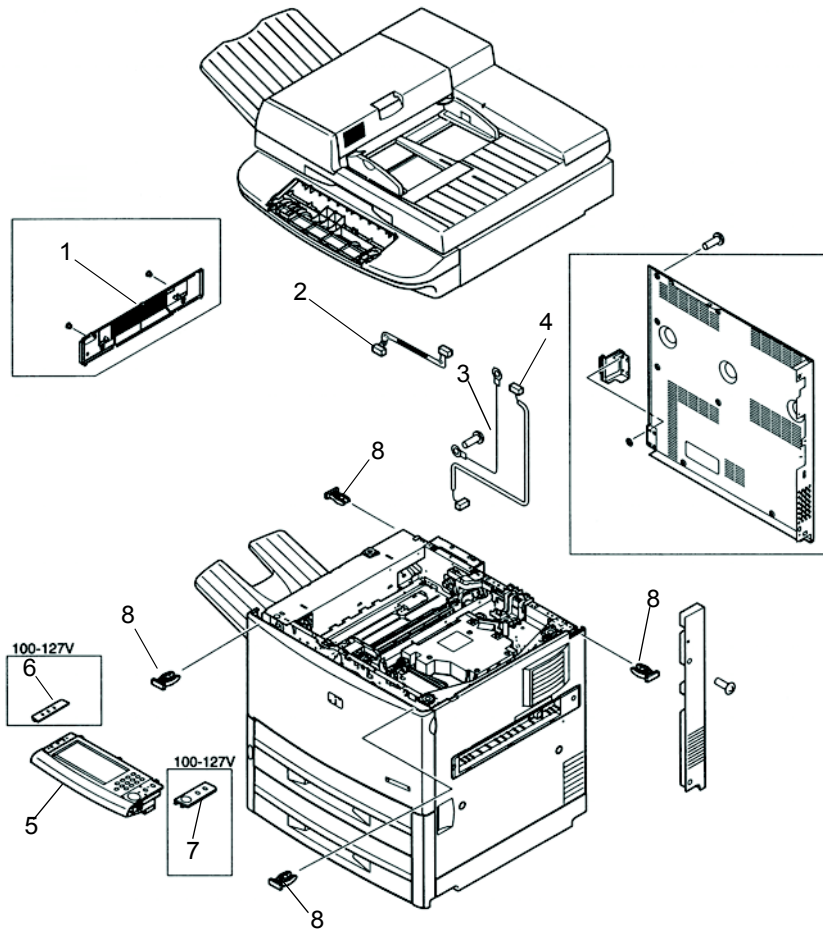


# Scanner assembly

Figure 8-2 Scanner assembly



**Table 8-4 Scanner assembly**

| Ref | Description                  | Part number  | Qty |
|-----|------------------------------|--|-----|
| 1   | Left upper cover assembly    | RG5-5706-000CN   | 1   |
| 2   | Control panel cable          | RG5-5752-000CN   | 1   |
| 3   | Grounding cable              | RG5-5736-000CN   | 1   |
| 4   | Power supply cable           | RG5-5735-000CN   | 1   |
| 5   | Control panel assembly       | CC395-60102  | 1   |
| 6   | Control panel overlay, left  | See <a href="#">Table 8-1 Consumables, supplies, accessories, FRUs, and documents on page 406.</a> | 1   |
| 7   | Control panel overlay, right | See <a href="#">Table 8-1 Consumables, supplies, accessories, FRUs, and documents on page 406.</a> | 1   |
| 8   | Holder lock                  | RB2-6495-000CN   | 4   |