

Figure 8-32 Tray 4 main body (2 of 2)

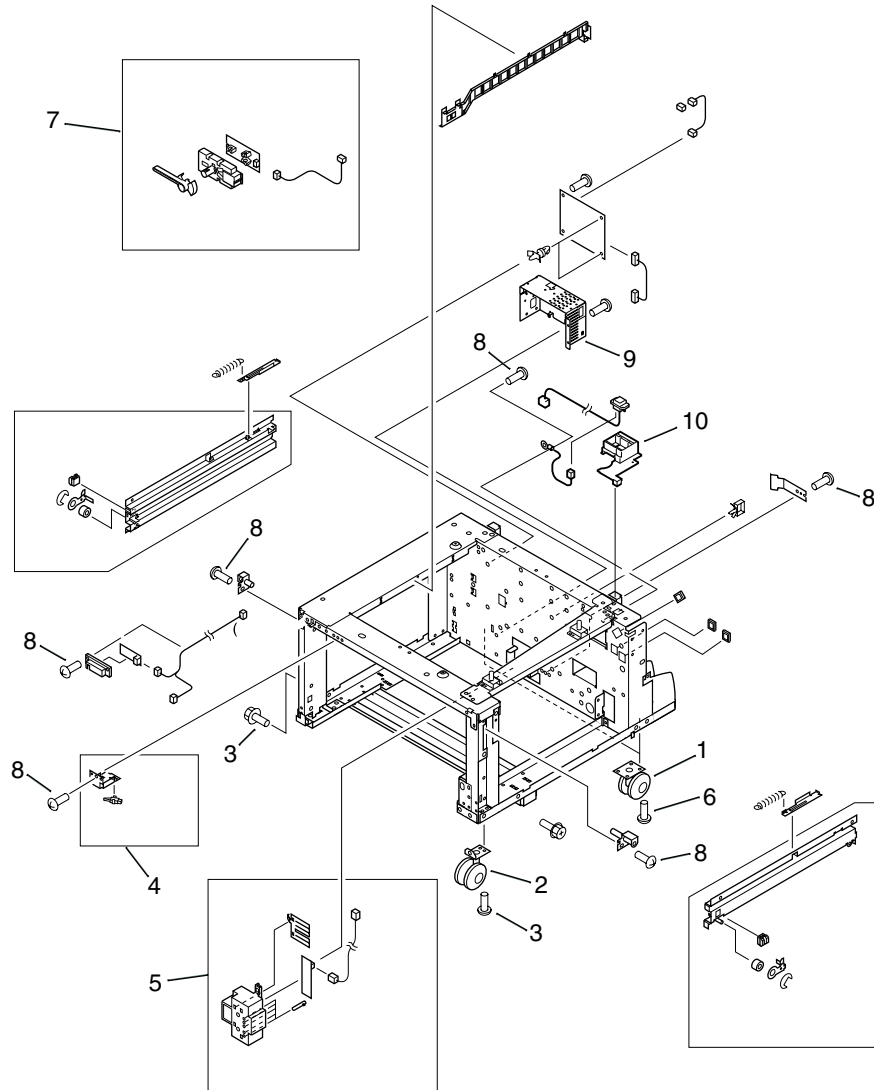


Table 8-30 Tray 4 main body (2 of 2)

Ref	Description	Part number	Qty
1	Caster, back	RB2-7678-030CN	2
1	Caster, front swivel	RB3-0304-050CN	2
3	Screw, M5x12	XA9-0912-000CN	14
4	Switch assembly (SW21)	RG5-6206-030CN	1
5	Paper size sensing assembly	RG5-6207-060CN	1
6	Screw, M4x8, RS	XA9-0732-000CN	4
7	Paper volume sensing assembly	RG5-6229-040CN	1
8	Screw, M4x6	XA9-0994-000CN	12
9	Power supply	RG5-6250-040CN	1
10	Jet-Link cable holder assembly (see 10a, 10b, and 10c)	N/A	
10a	Holder	RB2-7662-020CN	
10b	Cable assembly	RG5-6240-020CN	
10c	Grounding cable	RG5-6249-000CN	