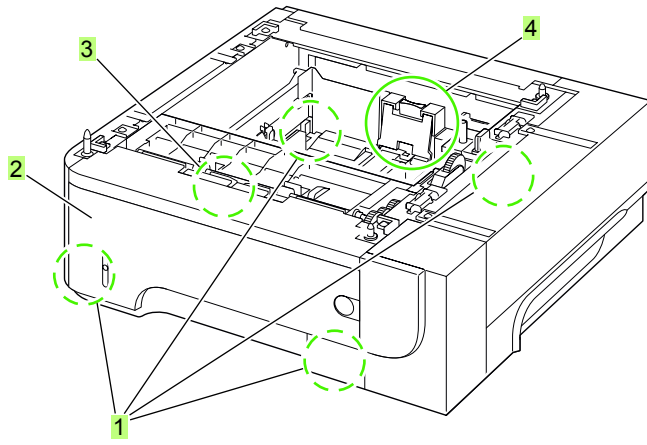


# Input devices

## 500-sheet input tray (Tray 3 and Tray 4)

Figure 4-10 500-sheet input tray (Tray 3 and Tray 4)



**Table 4-15 500-sheet input tray (Tray 3 and Tray 4)**

Ref	Description	Part number	Qty
	Optional 500-sheet tray and feeder unit	CE530-69001	1
1	Base plate roller assembly	RM1-6306-000CN	4
2	Cassette	RM1-6279-000CN	1
3	Pickup roller set, cassette	RM1-6313-000CN	1
4	Separation holder assembly	RM1-6303-000CN	1