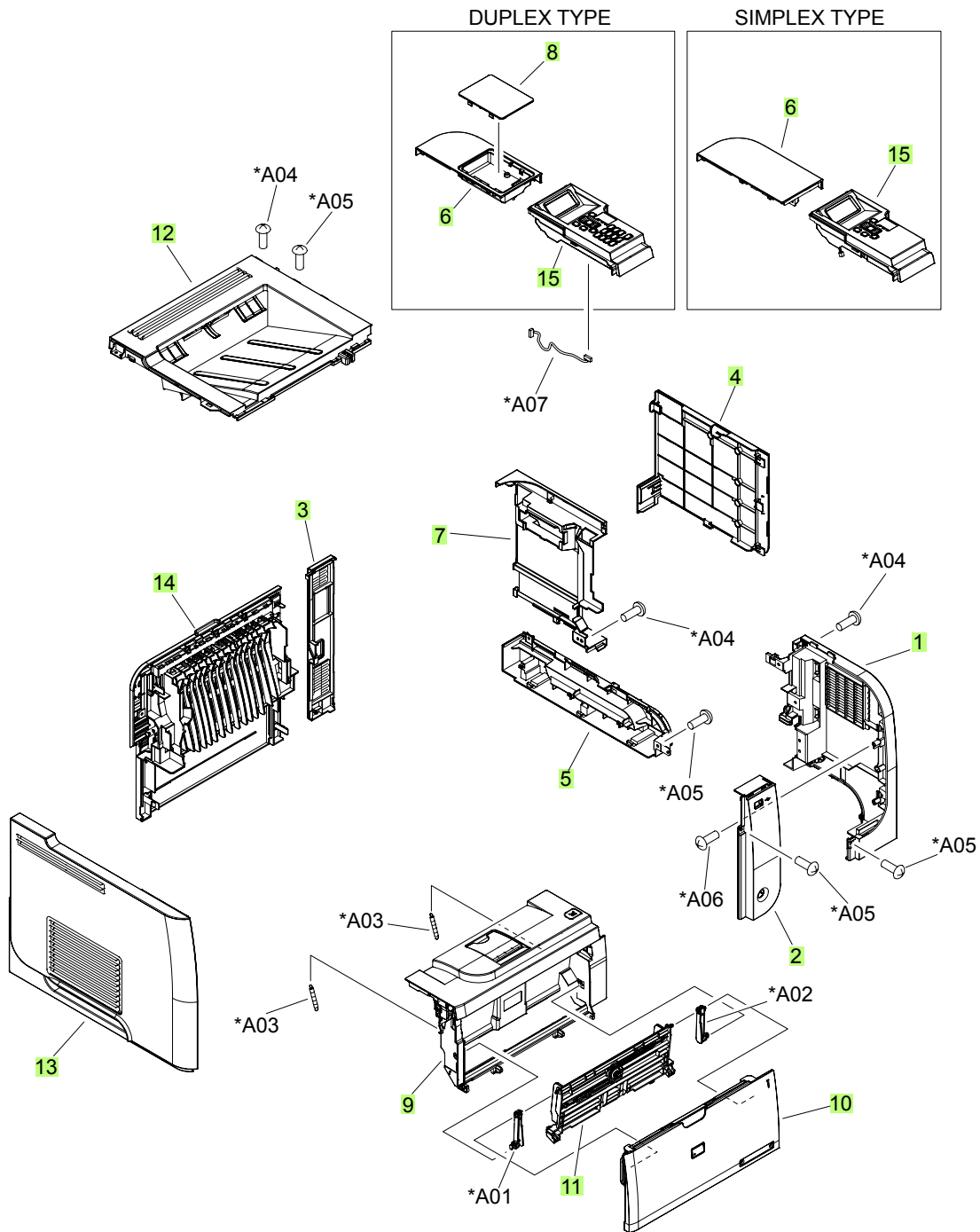


# Covers

Figure 4-3 Covers



**Table 4-8 Covers**

<b>Ref</b>	<b>Description</b>	<b>Part number</b>	<b>Qty</b>
1	Cover, right	RC2-7670-000CN	1
2	Cover, right-front	RC2-7672-000CN	1
3	Cover, right-rear	RC2-7673-000CN	1
4	Cover, DIMM	RC2-7674-000CN	1
5	Cover, handle right	RC2-7675-000CN	1
6	Cover, upper-right (top-right); duplex models	RC2-7676-000CN	1
6	Cover, upper-right (top-right); simplex models	RC2-7707-000CN	1
7	Cover, formatter	RC2-7688-000CN	1
8	Cover, upper-right (top-right) sub; duplex models	RC2-7677-000CN	1
9	Cartridge-door assembly	RM1-6264-000CN	1
10	Cover, multipurpose assembly	RM1-6265-000CN	1
11	Multipurpose lifting plate assembly	RM1-6266-000CN	1
12	Cover, top assembly	RM1-6289-000CN	1
13	Cover, left	RM1-6291-000CN	1
14	Cover, rear assembly	RM1-6292-000CN	1
15	Control panel; duplex models	RM1-6518-000CN	1
15	Control panel; duplex models	RM1-6519-000CN	1