

Internal assemblies (3 of 6)

Figure 4-6 Internal assemblies (3 of 6)

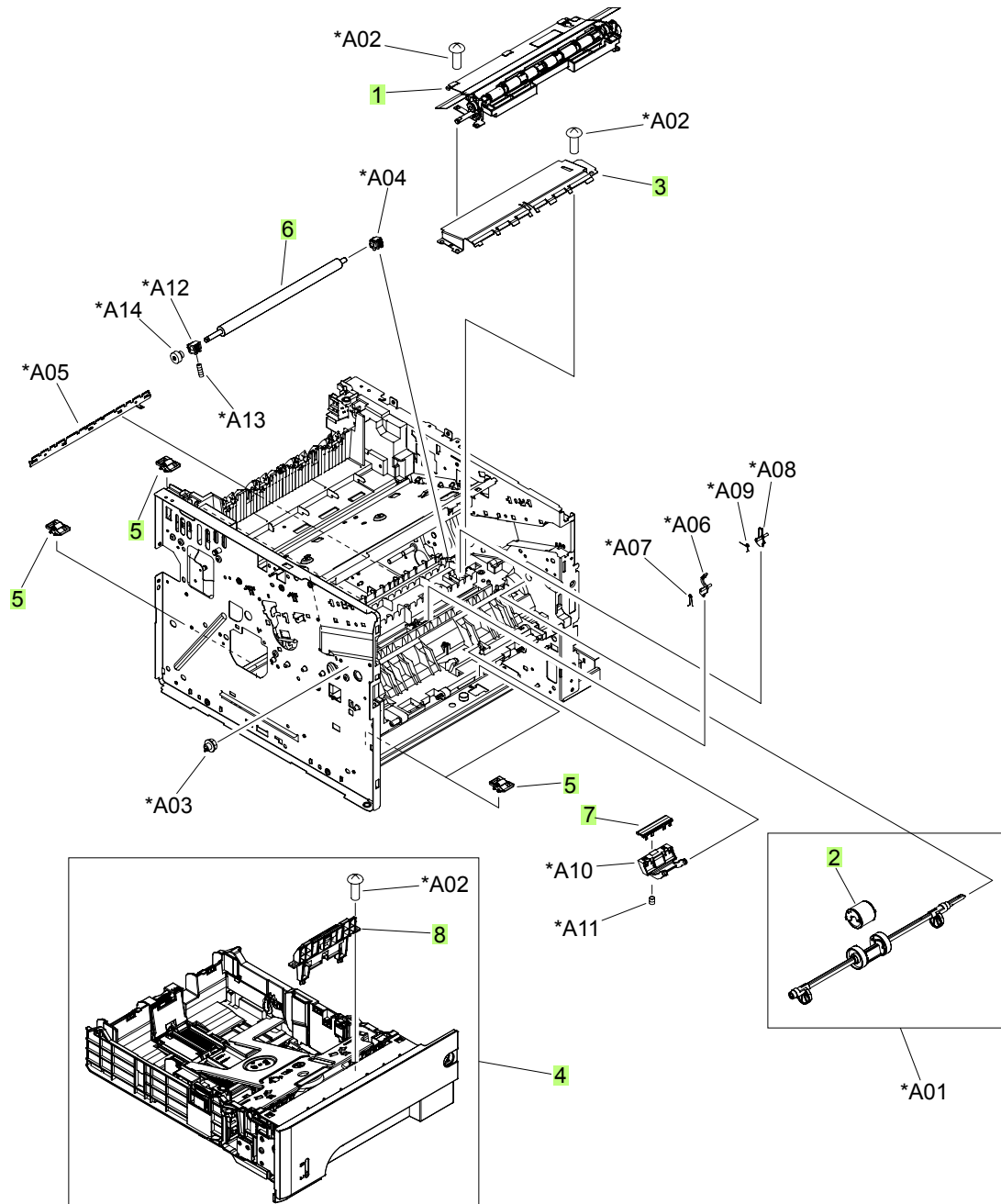


Table 4-11 Internal assemblies (3 of 6)

Ref	Description	Part number	Qty
1	Registration roller assembly	RM1-6272-000CN	1
2	Roller, multipurpose	RL1-2412-000CN	1
3	Transfer lower guide assembly	RM1-6315-000CN	1
4	Cassette	RM1-6279-000CN	1
5	Base plate roller assembly	RM1-6306-000CN	4
6	Roller, transfer	RM1-6321-000CN	1
7	Pad, multipurpose separation	RC2-8575-000CN	1
8	Separation holder assembly	RM1-6303-000CN	1