

Internal assemblies (4 of 6)

Figure 4-7 Internal assemblies (4 of 6)

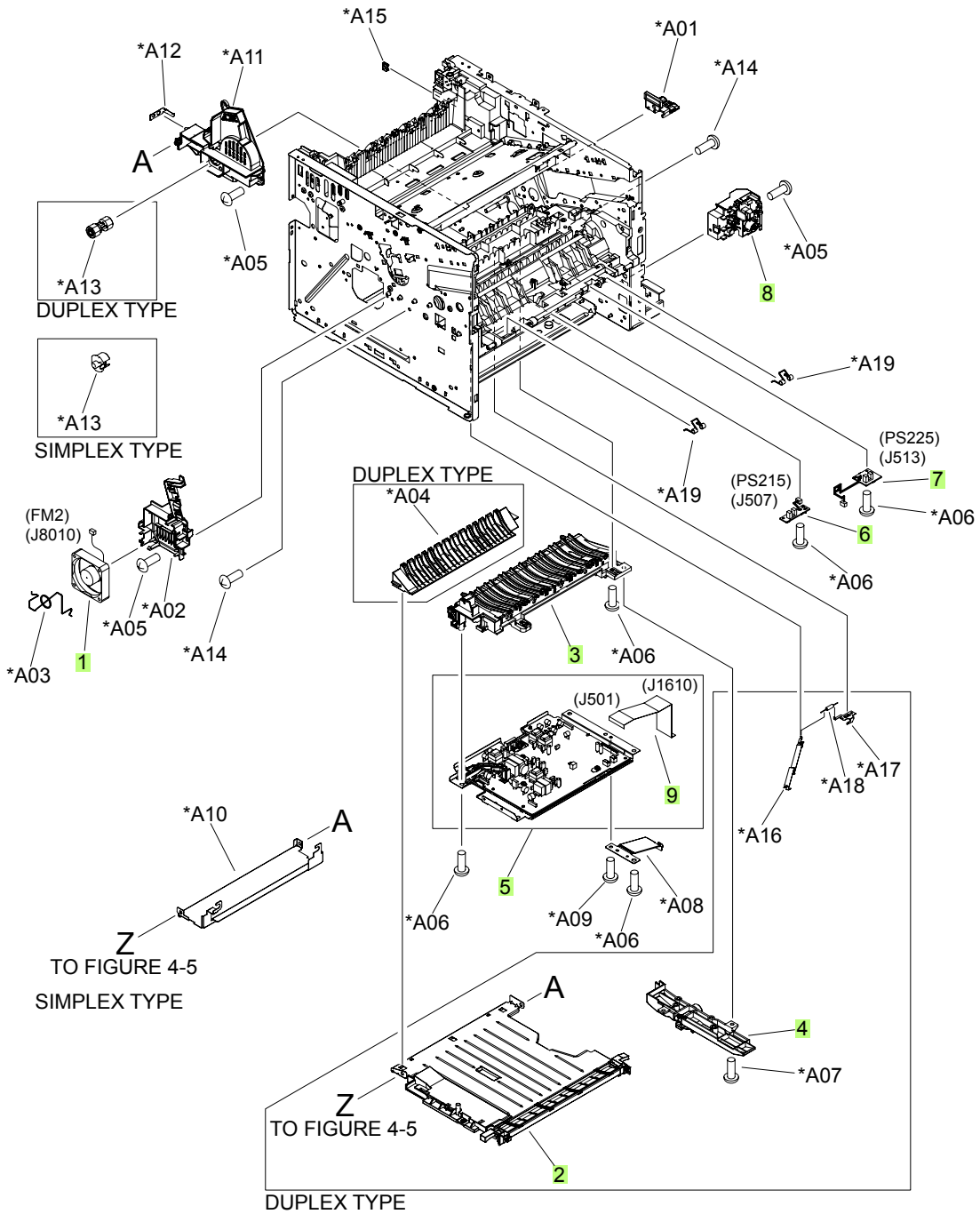


Table 4-12 Internal assemblies (4 of 6)

Ref	Description	Part number	Qty
1	Fan, sub	RK2-1499-000CN	1
2	Lower paper feed guide; duplex models	RM1-6263-000CN	1
3	Paper-feed guide assembly	RM1-6270-000CN	1
4	Position-guide assembly; duplex models	RM1-6273-000CN	1
5	High-voltage power supply; duplex models	RM1-6280-000CN	1
5	High-voltage power supply; simplex models	RM1-6300-000CN	1
6	TOP sensor PCA	RM1-6511-000CN	1
7	Paper width sensor PCA	RM1-6512-000CN	1
8	Switch assembly, power	RM1-6283-000CN	1
9	Cable, flat	RK2-3101-000CN	1