

Internal assemblies (6 of 6)

Figure 4-9 Internal assemblies (6 of 6)

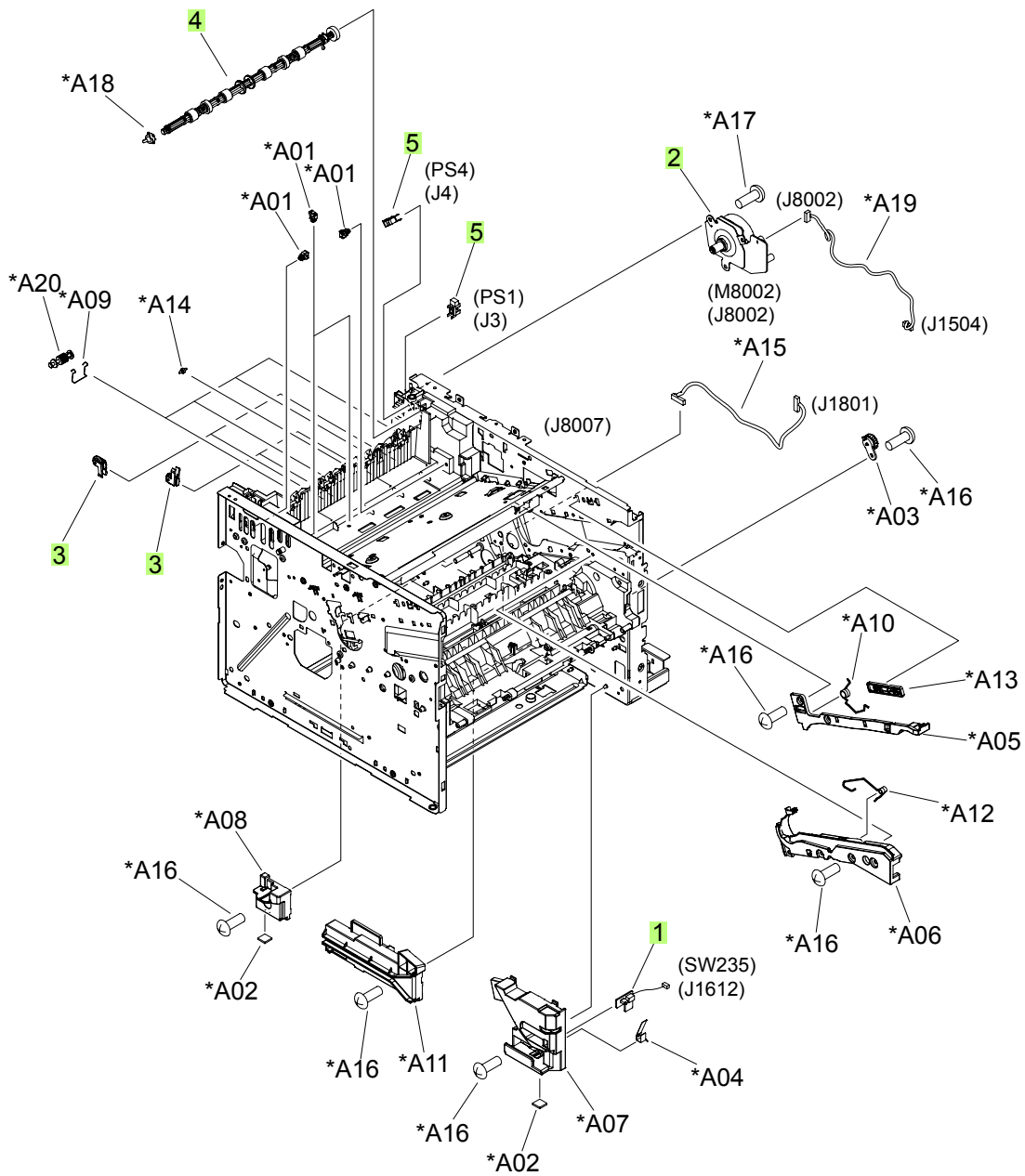


Table 4-14 Internal assemblies (6 of 6)

Ref	Description	Part number	Qty
1	Tray sensor PCA	RM1-6487-000CN	1
2	Fuser motor assembly	RM1-6296-000CN	1
3	Paper delivery roller assembly	RM1-6301-000CN	4
4	Face-down roller assembly	RM1-6311-000CN	1
5	Photo interrupter, TLP1243	WG8-5696-000CN	2