

Output devices

Figure 8-24 Multi-bin mailbox covers

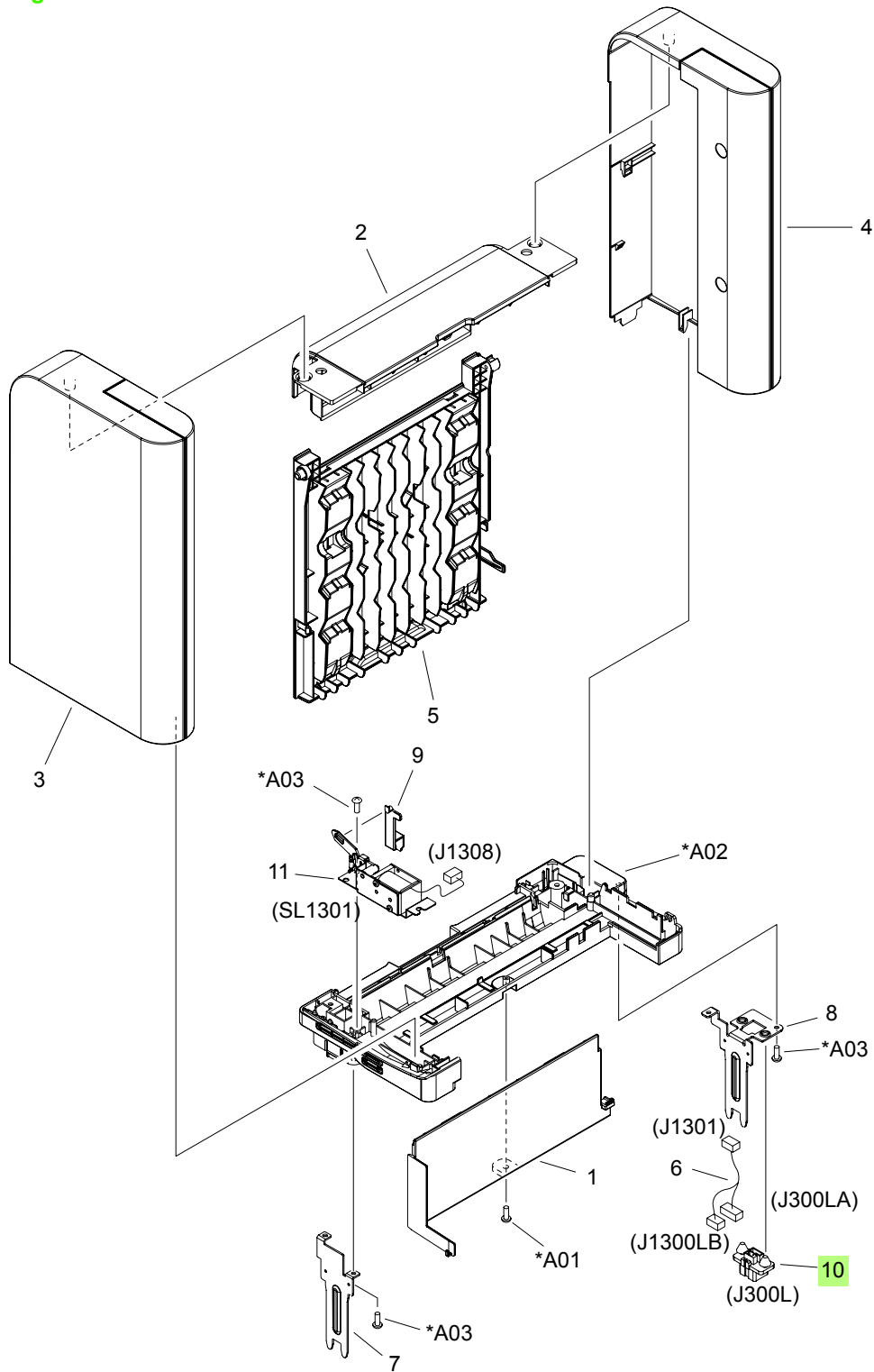


Table 8-23 Multi-bin mailbox covers

Ref	Description	Part number	Qty
1	Cover, front		1
2	Cover, top		1
3	Left cover assembly		1
4	Right cover assembly		1
5	Rear door assembly		1
6	Cable, stacker drawer		1
7	Joint, left		1
8	Joint, right		1
9	Lever, in flapper link		1
10	Connector, 8P	VS1-7500-008CN	1
11	IN solenoid assembly		1
A01	Screw, tap, binding head, M3x8		1
A02	Frame, base		1
A03	Screw, P, M3x8		3

¹ Only orderable parts have part numbers.