

Figure 8-26 Multi-bin mailbox main body (2 of 2)

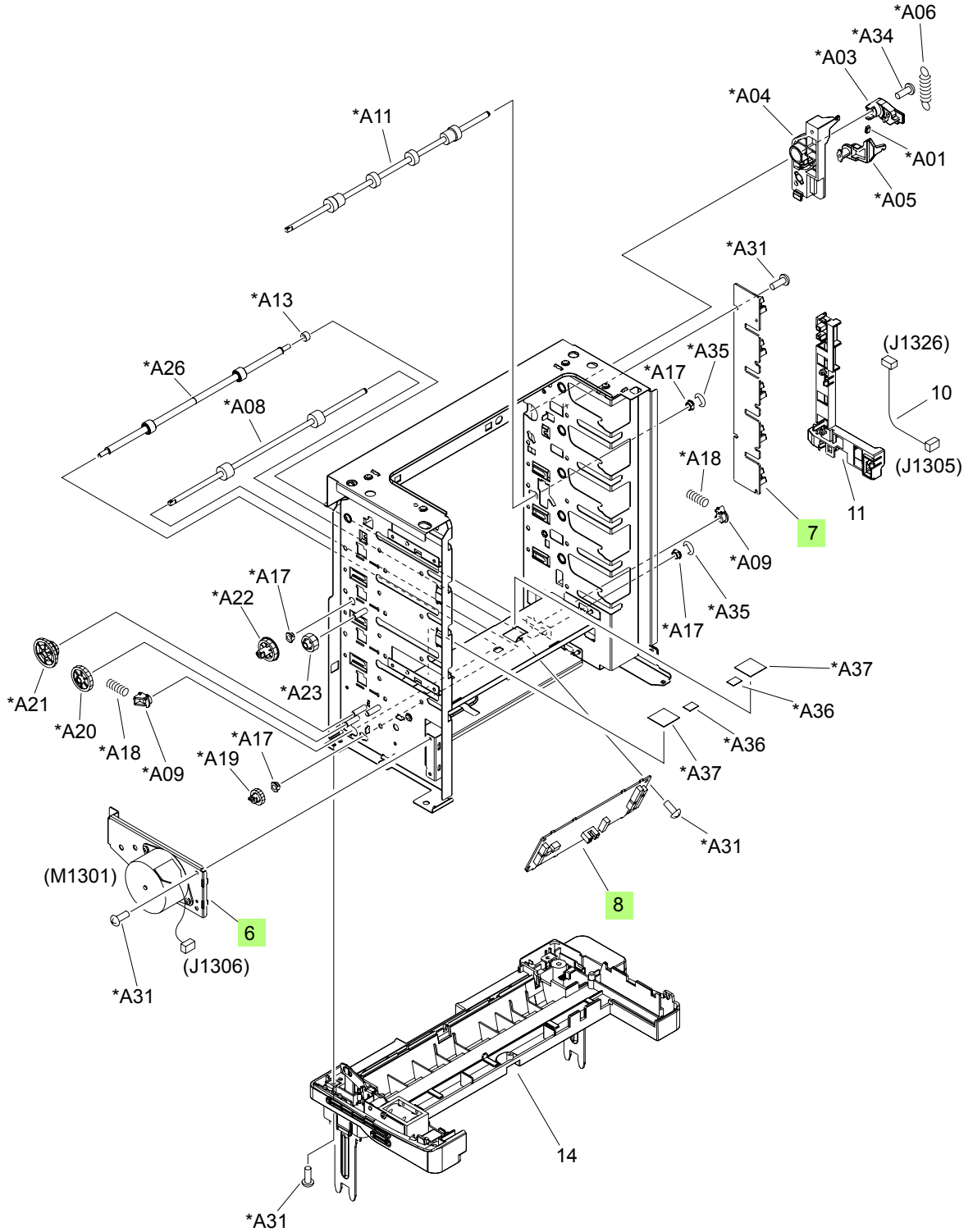


Table 8-25 Multi-bin mailbox main body (2 of 2)

Ref	Description	Part number	Qty
6	Drive assembly	RM1-5267-000CN	1
7	Sensor assembly	RM1-5096-000CN	1
8	Multi-bin mailbox PCA	RM1-6224-000CN	1
10	Cable, sensor PCA		1
11	Cable guide assembly		1
14	Frame, base		1
A01	Pad, arm		1
A02	Guide, cable, L		1
A03	Latch, rear door		1
A04	Bushing		1
A05	Stopper, rear door		1
A06	Spring, tension		1
A07	Pin		5
A08	Roller, delivery, inlet		1
A09	Bushing, pressure roller		2
A10	Bushing		5
A11	Roller, intermediate		1
A12	Cover, crossmember		1
A13	Spacer		1
A14	Pulley, 24T		4
A15	Gear, 34T/Pulley, 24T		1
A16	Pulley, 24T		5
A17	Bushing		4
A18	Spring, compression		2
A19	Gear, 24T		1
A20	Gear, 41T		1
A21	Gear, 24T/35T/48T		1
A22	Gear, 35T		1
A23	Gear, 26T		1
A24	Pulley/Gear, 34T		1
A25	Belt, timing		5
A26	Delivery inlet roller assembly		1
A27	Lever, bin flapper		4
A28	Base, bin lever		4

Table 8-25 Multi-bin mailbox main body (2 of 2) (continued)

Ref	Description	Part number	Qty
A29	Guide, crossmember		1
A30	Spring, compression		4
A31	Screw, D, M3x8		29
A32	Screw, machine, truss head, M3x4		8
A33	Screw, tap, binding head, M3x8		6
A34	Screw, tap, pan head, MM4x10		1
A35	Ring, E		2
A36	Sheet, bottom frame, right		2
A37	Sheet, bottom frame, left		2

¹ Only orderable parts have part numbers.