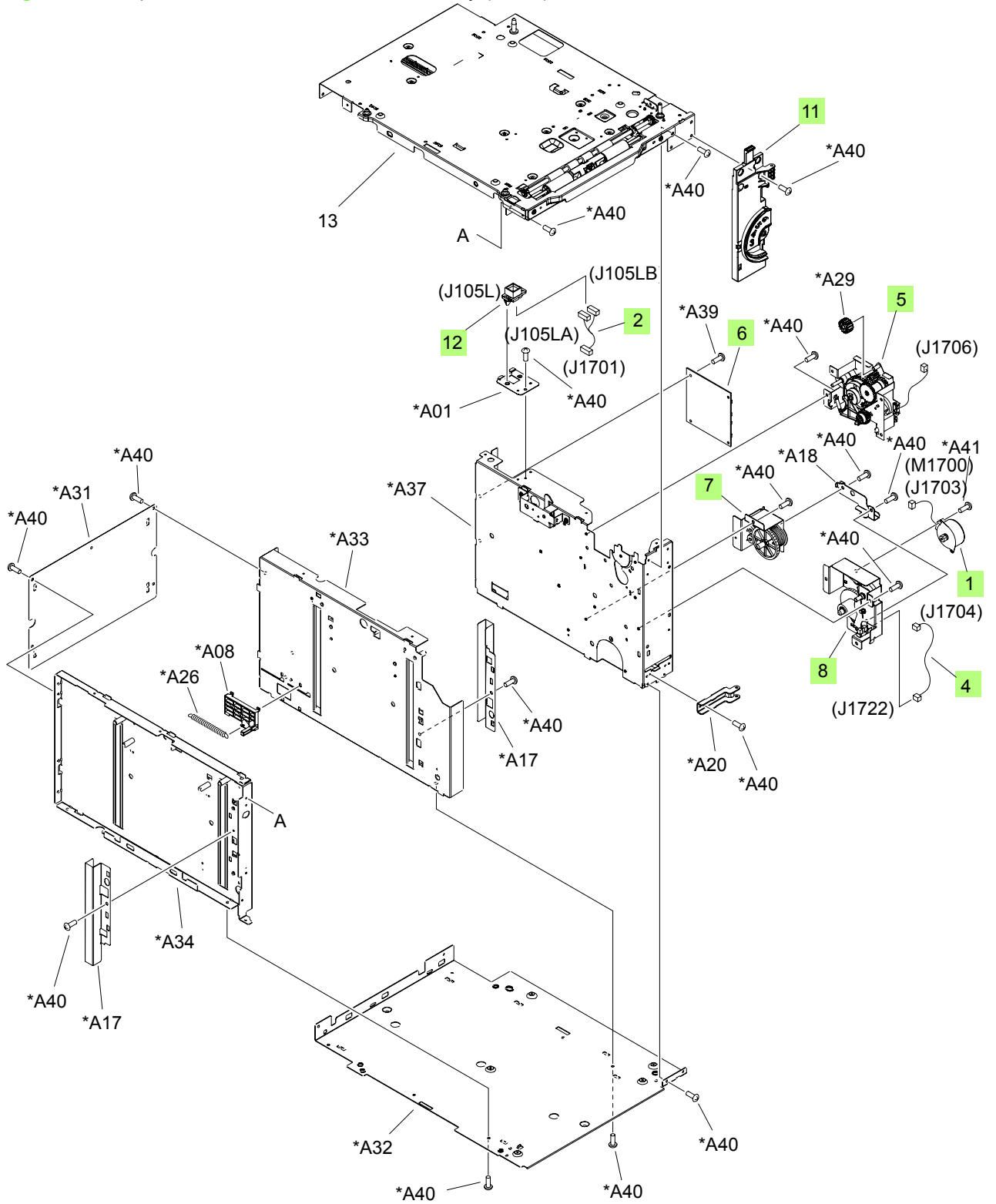


Figure 8-21 Optional 1,500-sheet feeder main body (1 of 2)



**Table 8-20 Optional 1,500-sheet feeder main body (1 of 2)**

Ref	Description	Part number	Qty
1	Motor, stepping	RH7-1603-020CN	1
2	Cable, interface	RM1-5126-000CN	1
4	Cable, door sensor	RM1-5128-000CN	1
5	Paper pickup drive assembly	RM1-5262-000CN	1
6	1,500-sheet feeder driver PCA	RM1-6214-000CN	1
7	Oil damper assembly	RM1-0289-030CN	1
8	Lifter drive assembly	RM1-1136-000CN	1
11	Numbering assembly	RM1-5265-000CN	1
12	Connector, drawer, 6P	VS1-7500-006CN	1
13	Paper pickup assembly (see <a href="#">Figure 8-23 Optional 1,500-sheet feeder paper pickup assembly on page 410</a> )		1
A01	Holder, connector		1
A02	Pin, lifter tray stopper		1
A03	Sheet, solenoid damper		1
A04	Latch, front cover, upper		1
A05	Block, front cover pushing		1
A06	Guide, paper set, right		1
A07	Guide, paper set, left		1
A08	Block, paper size sensor		1
A09	Reel, lifter wire		2
A10	Cover, lifter wire reel		2
A11	Support, wire pulley		8
A12	Cover, pulley		8
A13	Shaft, lifter drive		1
A14	Pulley, wire, front		2
A15	Pulley, wire, rear		6
A16	Cover, lifter wire reel		2
A17	Plate, lifter wire cover		2
A18	Plate, damper support		1
A19	Support, release hook, left		1
A20	Holder, hinge shaft, lower		1
A21	Guide, paper set, front		1
A22	Bushing		1
A23	Gear, 14T		1
A24	Gear, 15T		1

**Table 8-20 Optional 1,500-sheet feeder main body (1 of 2) (continued)**

Ref	Description	Part number	Qty
A25	Gear, 19T/39T		1
A26	Spring, tension		1
A27	Spring, tension		2
A28	Spring, torsion		1
A29	Gear, 16T		1
A30	Spacer, screw		2
A31	Frame, rear		1
A32	Frame, lower		1
A33	Frame, right		1
A34	Frame, left		1
A35	Saddle, wire		1
A36	Lifter tray assembly		1
A37	Paper pickup side plate assembly		1
A38	Left hook assembly		1
A39	Screw, with washer, M3x8		4
A40	Screw, tap, M3x6		67
A41	Screw, with washer, M3x6		2
A42	Ring, E		2
A43	Ring, E		3
A44	Pin, dowel		3
A45	Foot		2

<sup>1</sup> Only orderable parts have part numbers.