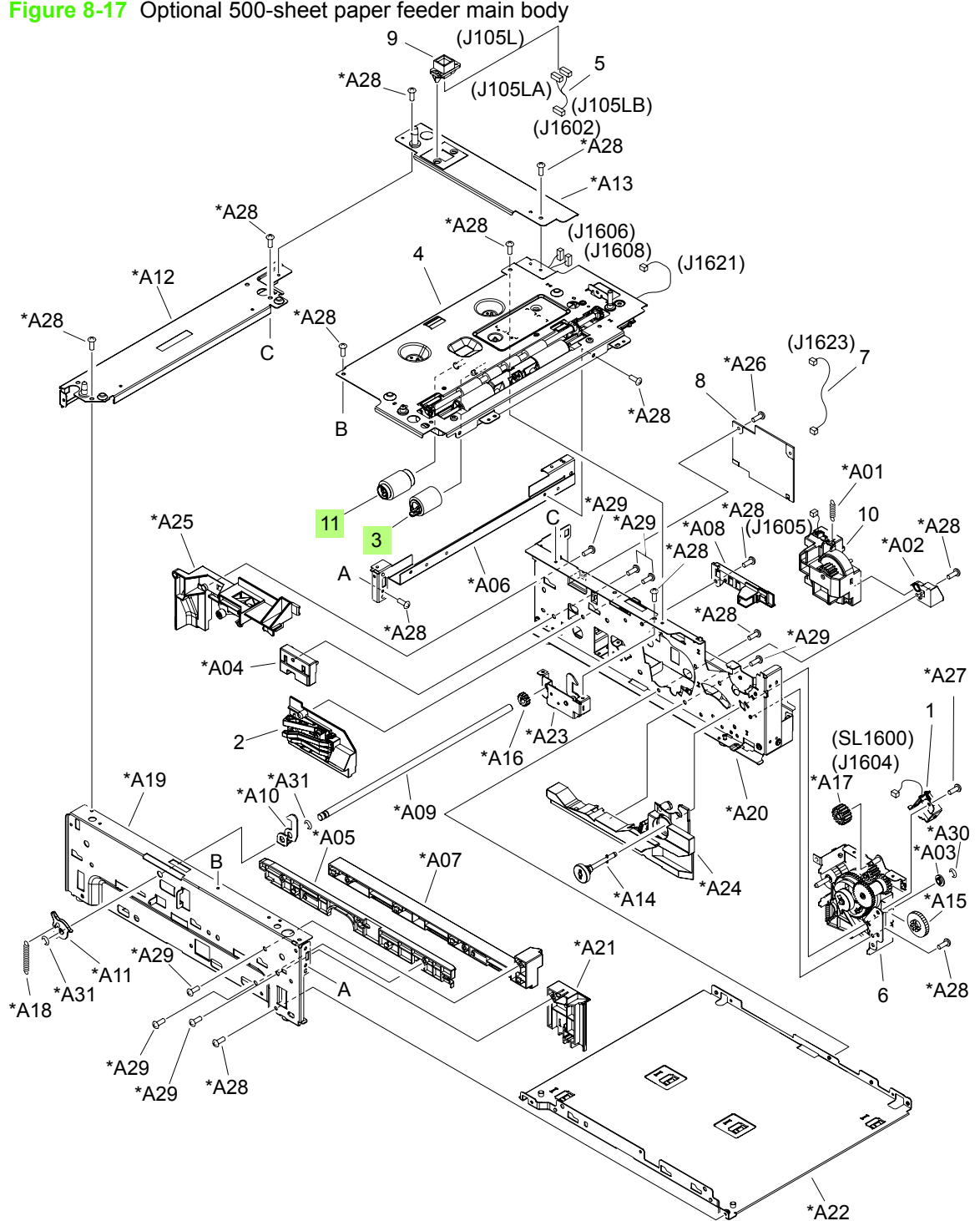


# Input devices

Figure 8-17 Optional 500-sheet paper feeder main body



**Table 8-16 Optional 500-sheet paper feeder main body**

Ref	Description	Part number	Qty
	Product roller kit (contains 2 feed rollers, 1 pickup roller)	CB506-67904	1
1	Solenoid		1
2	Size detect assembly		1
3	Paper feed roller assembly	RM1-0037-020CN	1
4	Front top plate assembly		1
5	Cable, interface, upper		1
6	Pickup drive side plate <b>RM1-8441</b>		1
7	Cable, size sensor		1
8	500-page feeder driver PCA		1
9	Connector, drawer, 6P		1
10	Lifter driver assembly <b>RM1-1094</b>		1
11	Paper pickup roller assembly	RM1-0036-020CN	1
A01	Spring, tension		1
A02	Support, lifter drive assembly		1
A03	Bushing		1
A04	Guide, cassette right, rear		1
A05	Guide, cassette left, rear		1
A06	Plate, reinforcement		1
A07	Guide, left		1
A08	Guide, cable		1
A09	Shaft, lock joint		1
A10	Arm, lock		1
A11	Lever, lock		1
A12	Upper plate, rear		1
A13	Upper plate, right		1
A14	Shaft, retard drive		1
A15	Gear, 23T		1
A16	Gear, 14T		1
A17	Gear, 16T		1
A18	Spring, tension		1
A19	Left frame assembly		1
A20	Right frame assembly		1
A21	Front cassette left guide assembly		1
A22	Lower frame assembly		1

**Table 8-16 Optional 500-sheet paper feeder main body (continued)**

<b>Ref</b>	<b>Description</b>	<b>Part number</b>	<b>Qty</b>
A23	Lock side plate assembly		1
A24	Right front guide assembly		1
A25	Right guide assembly		1
A26	Screw, with washer, M3x6		2
A27	screw, tap, M3x6		1
A28	Screw, D, M3x8		33
A29	Screw, tap, pan head, M4x10		13
A30	Ring, E		1
A31	Ring, E		2

<sup>1</sup> Only orderable parts have part numbers.