

Internal components

Figure 8-6 Internal components (1 of 3)

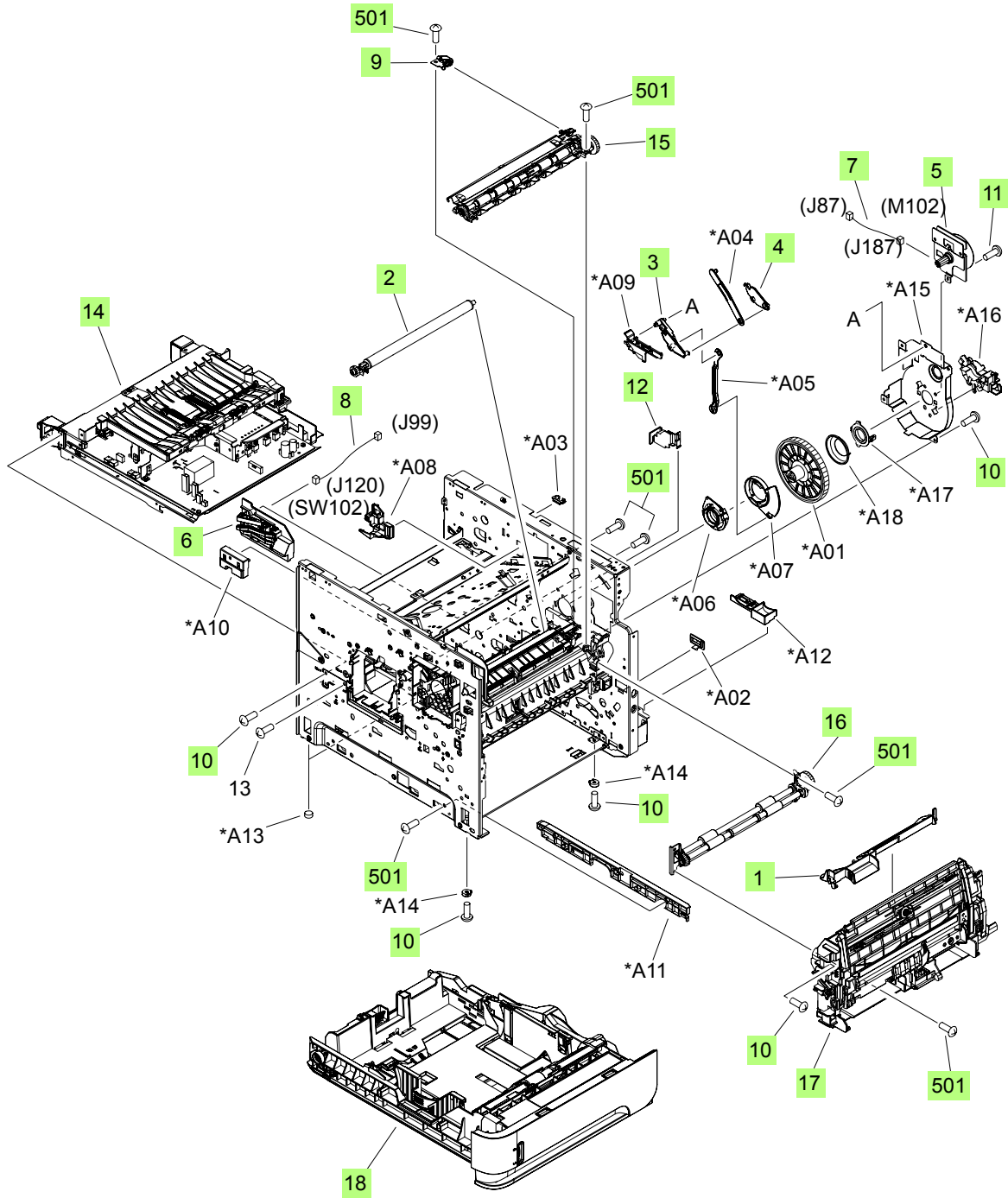


Table 8-5 Internal components (1 of 3)

Ref	Description	Part number	Qty
1	Cover, envelope	RL1-1667-000CN	1
2	Transfer roller assembly	CB506-67903	1
3	Arm, release, A	RC2-2480-000CN	1
4	Arm, release, B	RC2-2481-000CN	1
5	Motor, DC, 24 V, drum drive	RL1-1659-000CN	1
6	Size detect assembly	RM1-4525-000CN	1
7	Cable, drum motor	RM1-5090-000CN	1
8	Cable, size sensor	RM1-5091-000CN	1
9	Grounding plate assembly	RM1-5461-000CN	1
10	Screw, D, M3x8	XA9-1671-000CN	18
11	Screw, tap, M3x6	XA9-1503-000CN	3
12	Guide, connecting cable	RC1-0386-000CN	1
13	Screw, M4x5		2
14	Power-supply assembly, 110-127 V (see Figure 8-9 Power supply assembly on page 368)		1
14	Power-supply assembly, 220-240 V (see Figure 8-9 Power supply assembly on page 368)		1
15	Registration assembly	RM1-5460-000CN	1
16	Paper feed roller assembly	RM1-4527-000CN	1
17	Multipurpose tray pickup assembly	RM1-4563-000CN	1
18	500-sheet tray cassette	RM1-4559-000CN	1
501	Screw, tapping, pan head, M4x10	XB4-7401-007CN	24
A01	Gear, 193T		1
A02	Guard, edge		1
A03	Clamp, cord		1
A04	Rod, release, upper		1
A05	Rod, release, lower		1
A06	Guide, gear shift, A		1
A07	Guide, gear shift, B		1
A08	Guide, scanner cable		1
A09	Guide, gear		1
A10	Guide, cassette right, rear		1
A11	Guide, cassette left, rear		1
A12	Support, power supply switch		1
A13	Foot		2

Table 8-5 Internal components (1 of 3) (continued)

Ref	Description	Part number	Qty
A14	Spacer, frame		2
A15	Side plate, drum drive		1
A16	Cap, drum gear		1
A17	Bushing		1
A18	Spring, compression		1

¹ Only orderable parts have part numbers.