

Figure 8-15 Optional 1,500-sheet feeder PCA

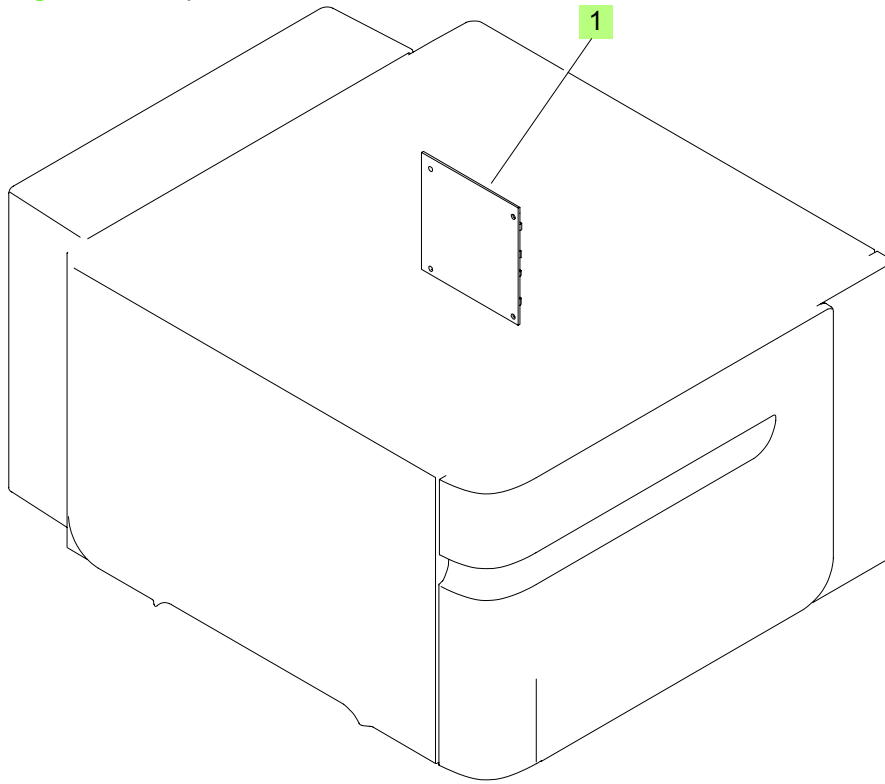


Table 8-14 Optional 1,500-sheet feeder PCA

Ref	Description	Part number	Qty
1	1,500-sheet feeder driver PCA	RM1-6214-000CN	1