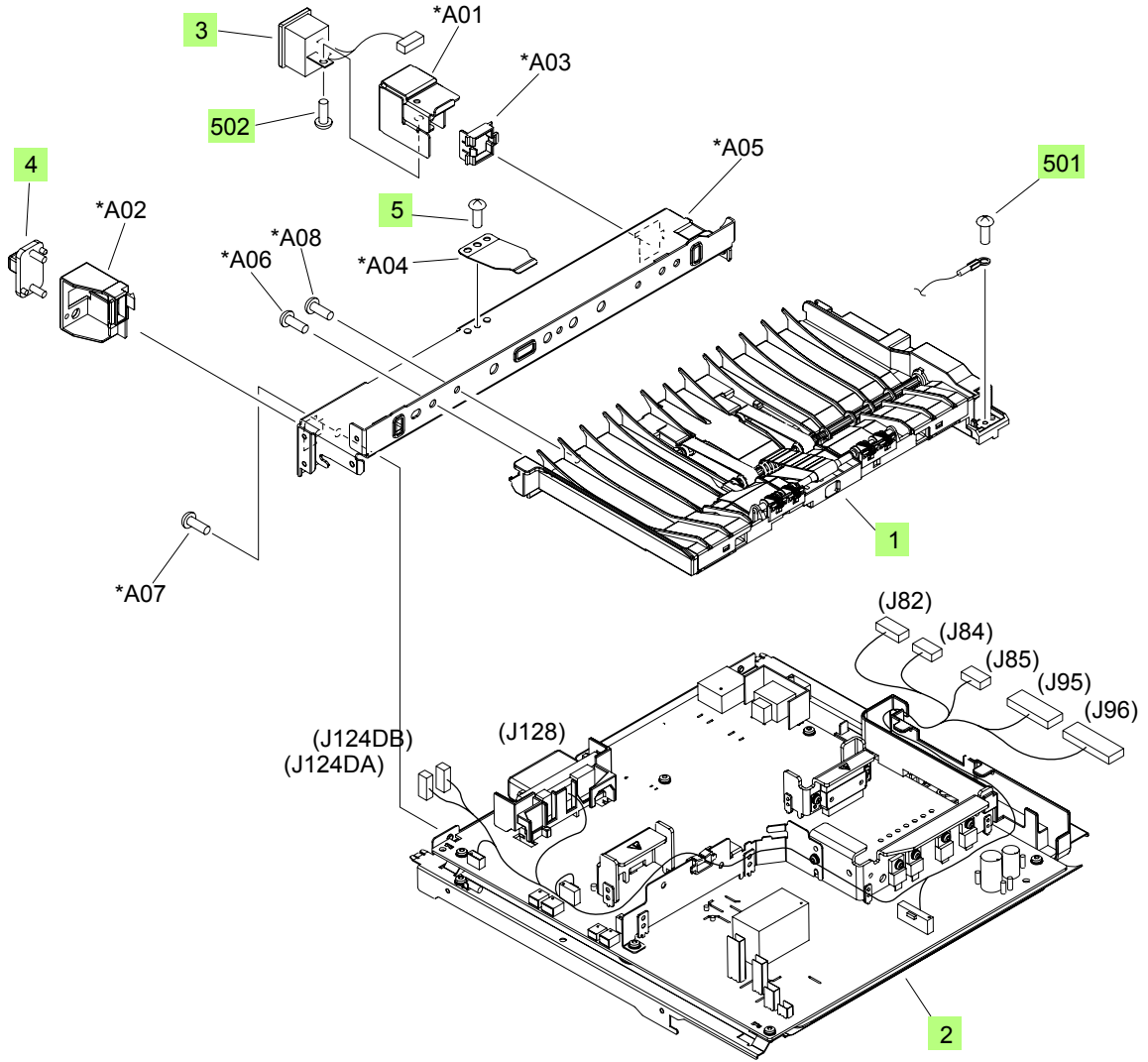


Figure 8-9 Power supply assembly



**Table 8-8 Power supply assembly**

Ref	Description	Part number	Qty
1	Paper feed assembly	RM1-4548-000CN	1
2	Electrical components assembly (110-127 V)	RM1-4549-000CN	1
2	Electrical components assembly (220-240 V)	RM1-4578-000CN	1
3	Cable, inlet (110-127 V)	RM1-5078-000CN	1
3	Cable, inlet (220-240 V)	RM1-5079-000CN	1
4	Connector, drawer, 6P	VS1-7514-006CN	1
5	Screw, flat head RS, M3x6	XA9-1464-000CN	1
501	Screw, machine, pan head, M3x6	XB1-1300-605CN	1
502	Screw, with washer, M4x6	XB2-7400-606CN	1
A01	Holder, inlet		1
A02	Holder, connector		1
A03	Guard, edge		1
A04	Spring, leaf		1
A05	Crossmember, fusing		1
A06	Screw, tap, pan head, M4x10		2
A07	Screw, D, M3x8		3
A08	Screw, with washer, M3x6		3

<sup>1</sup> Only orderable parts have part numbers.