

Covers

Figure 8-5 Covers—base unit

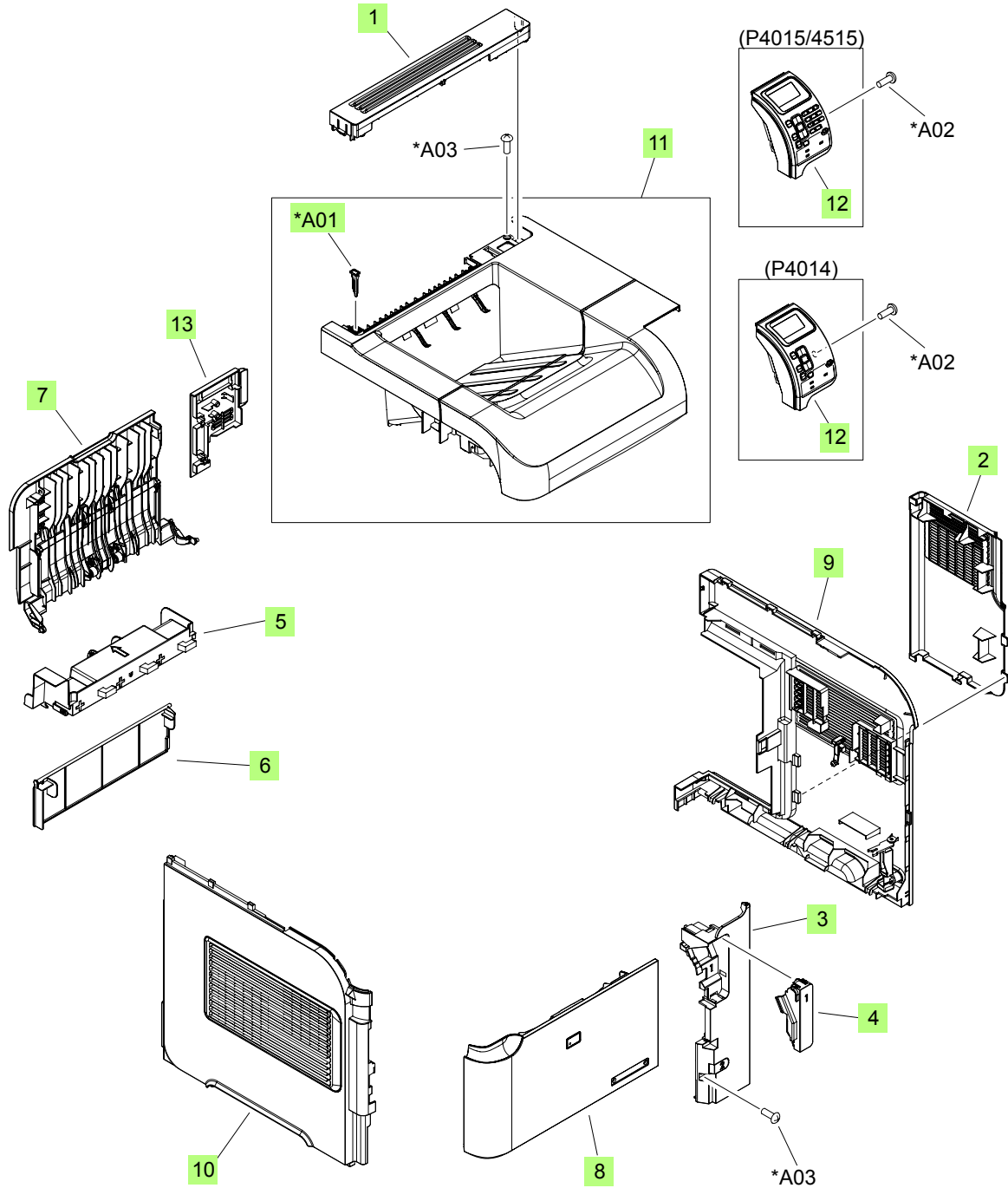


Table 8-4 Covers—base unit

Ref	Description	Part number	Qty
1	Cover, option	RC2-2459-000CN	1
2	Cover, formatter (P4015/P4515)	RC2-2468-000CN	1
2	Cover, formatter (P4014)	RC2-5757-000CN	1
3	Cover, right front (P4015/P4515)	RC2-2475-000CN	1
3	Cover, right front (P4014)	RC2-5758-000CN	1
4	Cover, envelope connector (P4015/P4515)	RC2-2476-000CN	1
4	Cover, envelope connector (P4014)	RC2-5759-000CN	1
5	Cover, duplexing outer (P4015/P4515)	RC2-2510-000CN	1
5	Cover, duplexing outer (P4014)	RC2-5760-000CN	1
6	Cover, legal (P4015/P4515)	RC2-5239-000CN	1
6	Cover, legal (P4014)	RC2-5761-000CN	1
7	Face-up tray assembly (P4015/P4515)	RM1-4531-000CN	1
7	Face-up tray assembly (P4014)	RM1-5448-000CN	1
8	Front cover assembly	RM1-4534-000CN	1
9	Right cover assembly (P4015/P4515)	RM1-4550-000CN	1
9	Right cover assembly (P4014)	RM1-5449-000CN	1
10	Left cover assembly (P4015/P4515)	RM1-4551-000CN	1
10	Left cover assembly (P4014)	RM1-5450-000CN	1
11	Top cover assembly (P4015/P4515)	RM1-4552-000CN	1
11	Top cover assembly (P4014)	RM1-5250-000CN	1
12	Control panel assembly (P4015/P4515)	RM1-5059-000CN	1
12	Control panel assembly (P4014)	RM1-5060-000CN	1
13	Cover, right rear (P4015/P4515)	RC2-2478-000CN	1
13	Cover, right rear (P4014)	RC2-5768-000CN	1
A01	Pin, option	RC1-0306-000CN	1
A02	Screw, tapping, pan head, M4x10		3
A03	Screw, D, M3x8		6

¹ Only orderable parts have part numbers.