

Figure 8-7 Internal components (2 of 3)

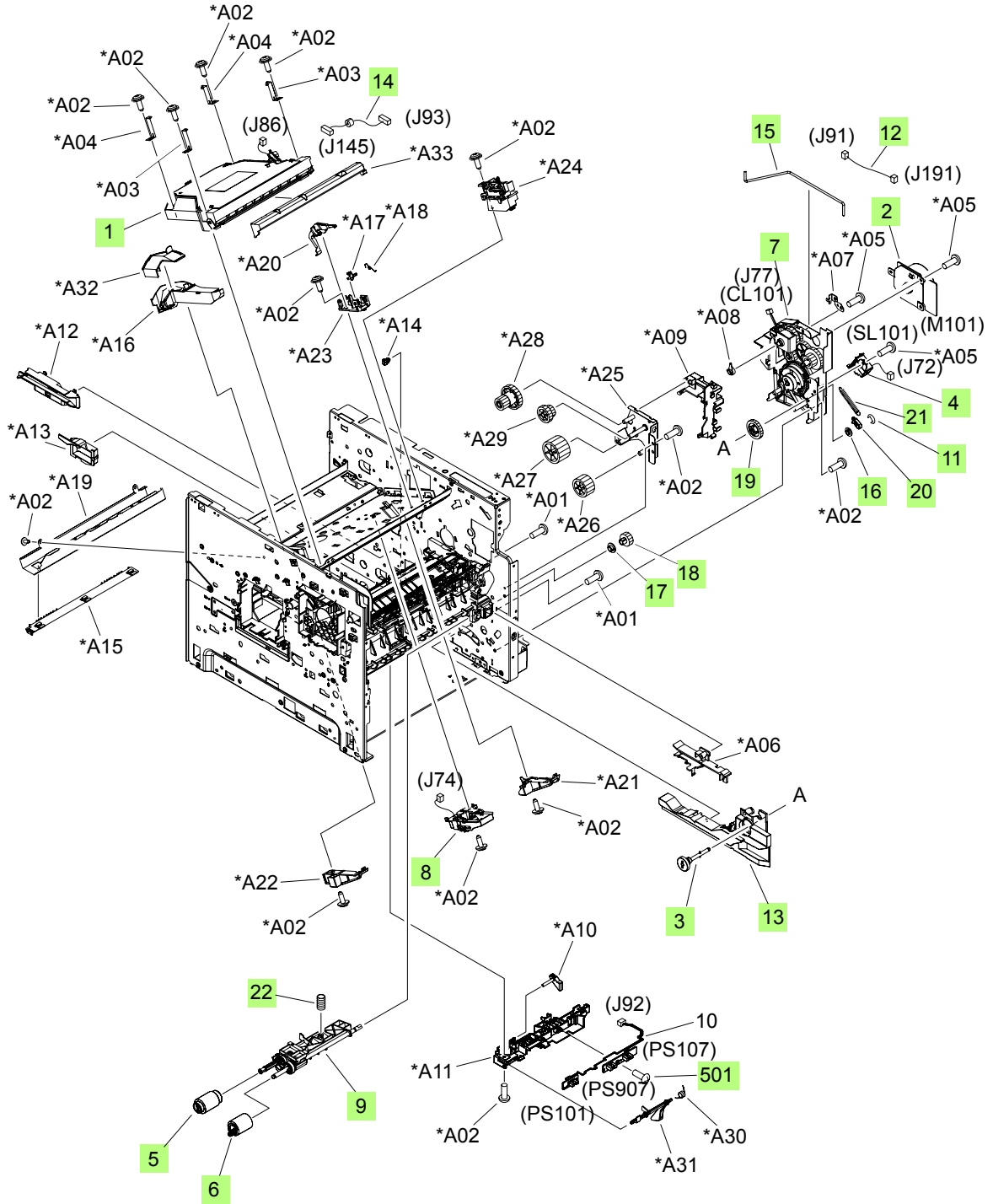


Table 8-6 Internal components (2 of 3)

Ref	Description	Part number	Qty
1	Laser scanner assembly	RM1-5465-000CN	1
2	Motor, DC, 24 V, main drive	RL1-1657-000CN	1
3	Shaft, retard drive	RL1-1658-000CN	1
4	Solenoid	RK2-0270-000CN	1
5	Paper pickup roller assembly	RM1-0036-020CN	1
6	Paper feed roller assembly	RM1-0037-020CN	1
7	Paper pickup drive assembly	RM1-4532-000CN	1
8	Tag holder assembly	RM1-4539-000CN	1
9	Paper feed shaft Z assembly	RM1-4562-000CN	1
10	Feeder sensor cable assembly		1
11	Ring, E	XD9-0232-000CN	1
12	Cable, feed motor	RM1-5089-000CN	1
13	Right front guide assembly	RM1-4576-000CN	1
14	Cable, laser	RM1-5087-000CN	1
15	Rod, switch	RC2-2667-000CN	1
16	Bushing	RC1-0206-000CN	1
17	Bushing, feed shaft	RC1-0264-000CN	1
18	Gear, 18T	RU5-0045-020CN	1
19	Gear, 23T	RU6-0159-000CN	1
20	Bushing	RC2-5783-000CN	2
21	Spring, tension	RU6-2115-000CN	2
22	Spring, compression	RC1-0213-000CN	1
501	Screw, tap, binding head, M3x8	XB4-7300-809CN	2
A01	Screw, tap, pan head, M4x10		1
A02	Screw, D, M3x8		28
A03	Spacer, scanner, front		1
A04	Spacer, scanner, rear		1
A05	Screw, tap, M3x6		10
A06	Guide, front		1
A07	Support, DCU		1
A08	Bushing		1
A09	Guide, cable, right front		1
A10	Lever, height prevention		1
A11	Holder, sheet sensor		1

Table 8-6 Internal components (2 of 3) (continued)

Ref	Description	Part number	Qty
A12	Guide, EPU, rear		1
A13	Clip, cable		1
A14	Saddle, wire		1
A15	Guide, lower		1
A16	Duct, scanner protective, 1		1
A17	Flag, shutter		1
A18	Spring, torsion		1
A19	Plate, RW crossmember		1
A20	Lever, lens		1
A21	Stopper, C right (P4015/P4515)		1
A21	Stopper, C right (P4014)		1
A22	Stopper, C left (P4015/P4515)		1
A22	Stopper, C left (P4014)		1
A23	Mount, lever		1
A24	Right stopper assembly		1
A25	Side plate, paper feed drive		1
A26	Gear, 29T		1
A27	Gear, 35T		1
A28	Gear, 37T/18T		1
A29	Gear, 17T/25T		1
A30	Spring, torsion		1
A31	Flag, paper presence detect		1
A32	Lid, scanner protective duct		1
A33	Duct, scanner protective, 2		1

¹ Only orderable parts have part numbers.