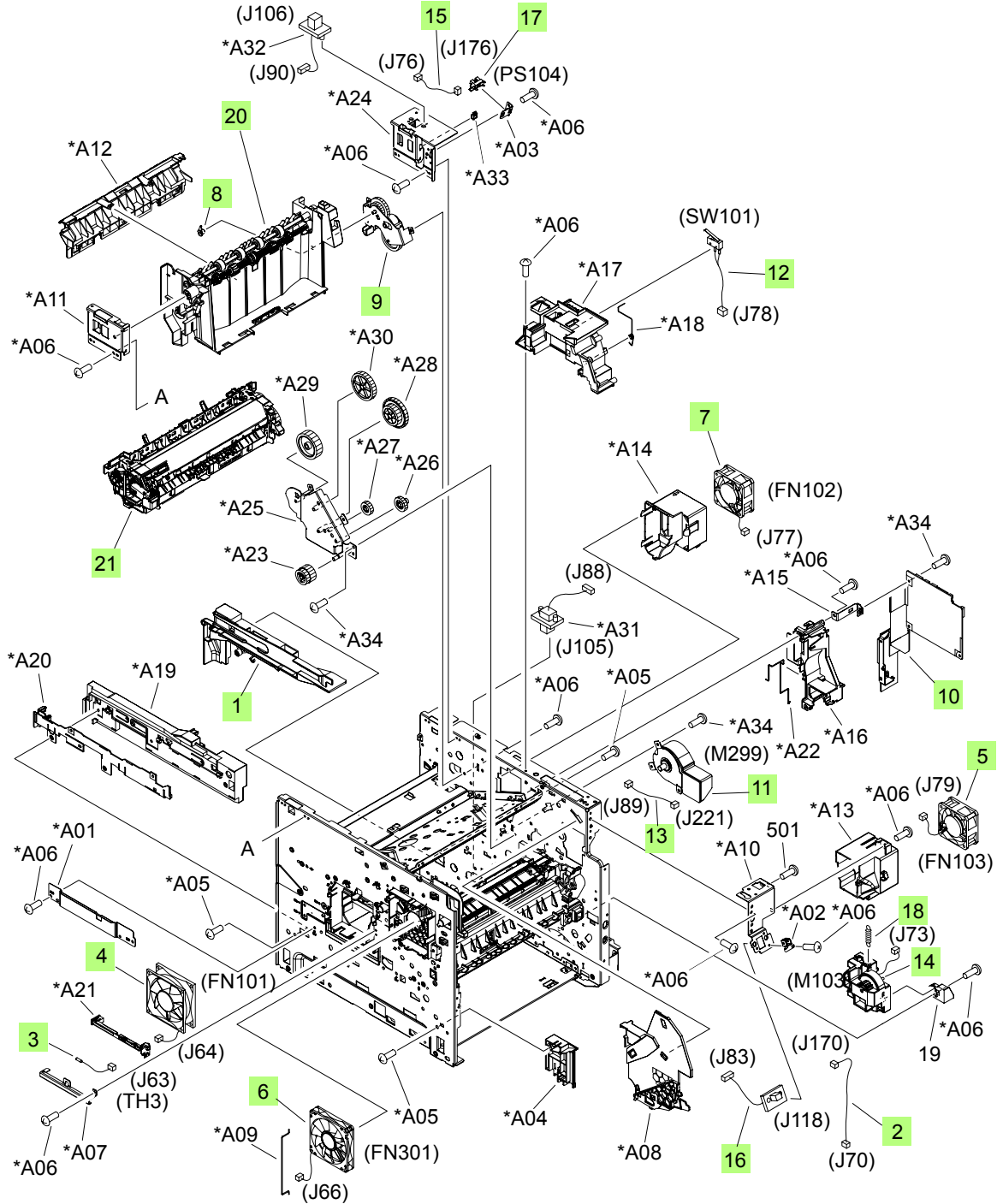


**Figure 8-8** Internal components (3 of 3)



**Table 8-7 Internal components (3 of 3)**

Ref	Description	Part number	Qty
1	Right guide assembly (P4015/P4515)	RM1-4558-000CN	1
1	Right guide assembly (P4014)	RM1-5451-000CN	1
2	Cable, panel	RM1-5082-000CN	1
3	Thermistor unit	RK2-0359-000CN	1
4	Fan	RK2-1988-000CN	1
5	Fan	RK2-1989-000CN	1
6	Fan	RK2-1991-000CN	1
7	Fan	RK2-1992-000CN	1
8	Bushing, paper delivery	RC1-0136-000CN	1
9	Paper delivery drive assembly	RM1-4526-000CN	1
10	DC controller PCA	RM1-4582-000CN	1
11	Fuser motor assembly	RM1-5051-000CN	1
12	Cable, door switch	RM1-5080-000CN	1
13	Cable, fuser motor	RM1-5088-000CN	1
14	Lifter drive assembly	RM1-4585-000CN	1
15	Cable, full sensor	RM1-5081-000CN	1
16	Cable, envelope feeder	RM1-5085-000CN	1
17	IC, photo interrupter	WG8-5624-000CN	1
18	Spring, tension	RC1-0198-000CN	1
19	Support, lifter drive assembly		1
20	Paper delivery assembly (also see <a href="#">Figure 8-12 Paper delivery assembly on page 378</a> )	RM1-4529-000CN	1
21	Fuser assembly (110-127 V) (also see <a href="#">Figure 8-13 Fusing assembly on page 380</a> )	CB506-67901	1
21	Fuser assembly (220-240 V) (also see <a href="#">Figure 8-13 Fusing assembly on page 380</a> )	CB506-67902	1
501	Screw, with washer, M3x6	XB2-7300-607CN	2
A01	Cover, connector		1
A02	Case, envelope		1
A03	Holder, sensor		1
A04	Front cassette LF guide assembly		1
A05	Screw, tap, pan head, M4x10		6
A06	Screw, D, M3x8		28
A07	Holder, sensor		1
A08	Guide, cartridge, right		1
A09	Rod, third fan		1

**Table 8-7 Internal components (3 of 3) (continued)**

Ref	Description	Part number	Qty
A10	Crossmember, front		1
A11	Crossmember, option, left		1
A12	Guide, rear		1
A13	Duct, second fan		1
A14	Duct, fourth fan		1
A15	Holder, DCU		1
A16	Guide, flat flexible cable		1
A17	Holder, check pin		1
A18	Spring, grounding		1
A19	Guide, left		1
A20	Guide, left, upper		1
A21	Holder, sensor		1
A22	Rod, din board		1
A23	Gear, 23T/19T		1
A24	Crossmember, option, right		1
A25	Side plate, fuser drive		1
A26	Gear, 17T		1
A27	Gear, 15T		1
A28	Gear, 25T/91T		1
A29	Gear, 33T		1
A30	Gear 35T		1
A31	Cable, option feeder		1
A32	Cable, OPT DEL		1
A33	Clamp, cable		1
A34	Screw, tap, M3x6		5

<sup>1</sup> Only orderable parts have part numbers.