

Figure 8-20 Optional 1,500-sheet feeder front door assembly

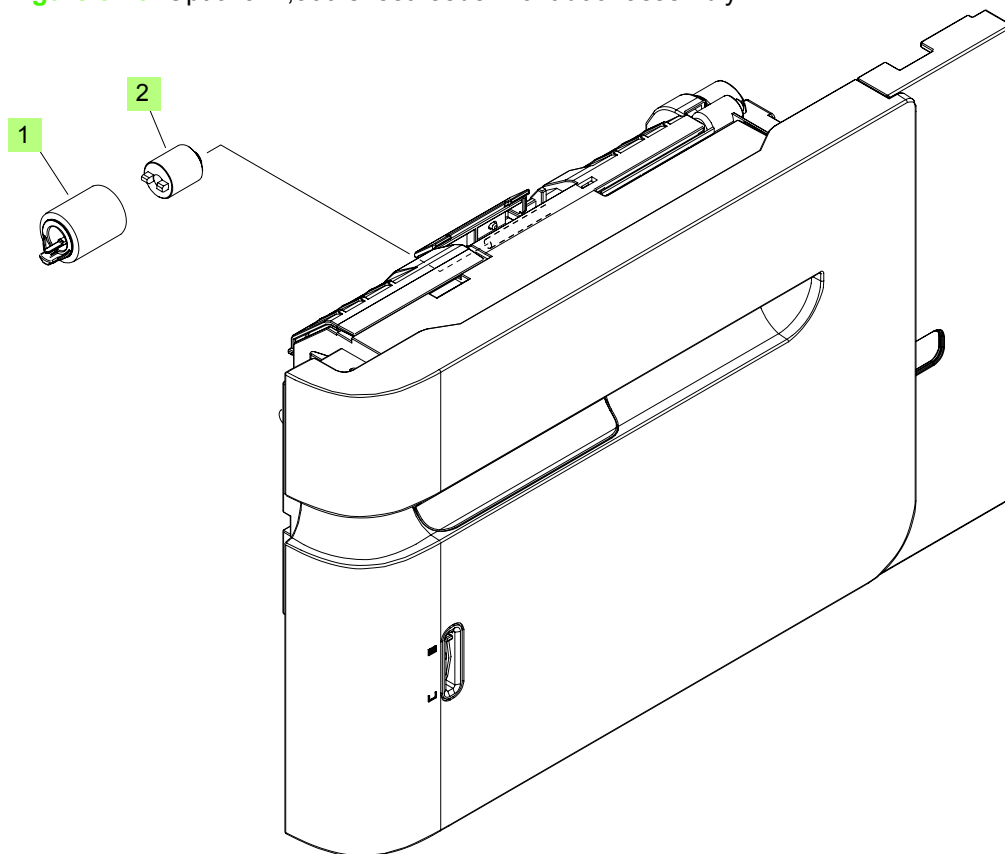


Table 8-19 Optional 1,500-sheet feeder front door assembly

Ref	Description	Part number	Qty
	Optional 1,500-sheet feeder front door assembly	RM1-5255-000CN	1
1	Paper feed roller assembly	RM1-0037-020CN	1
2	Limiters, cassette torque	RC2-5262-000CN	1